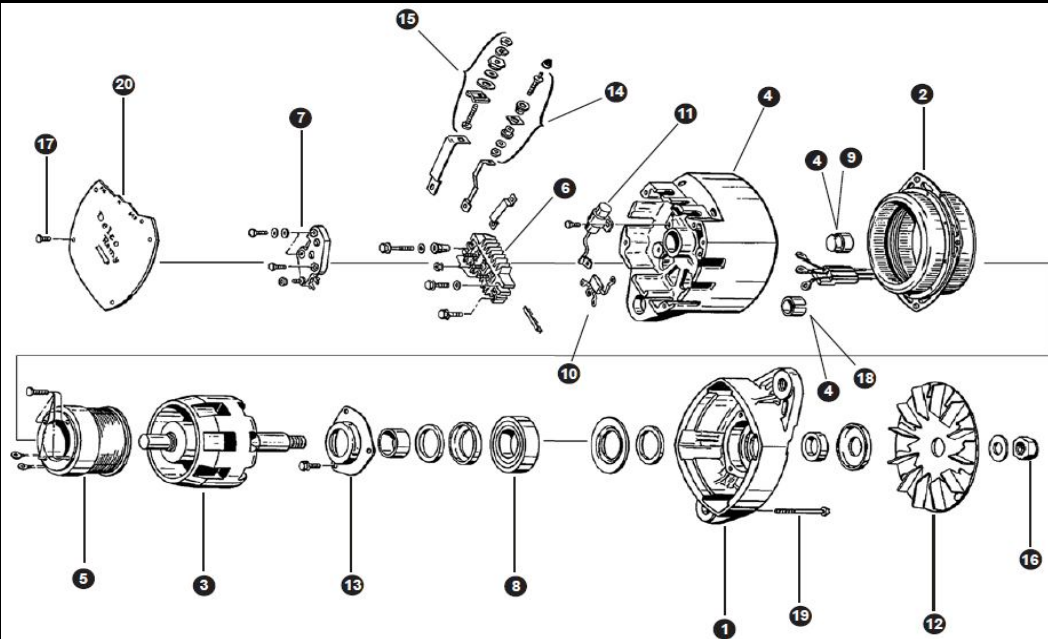
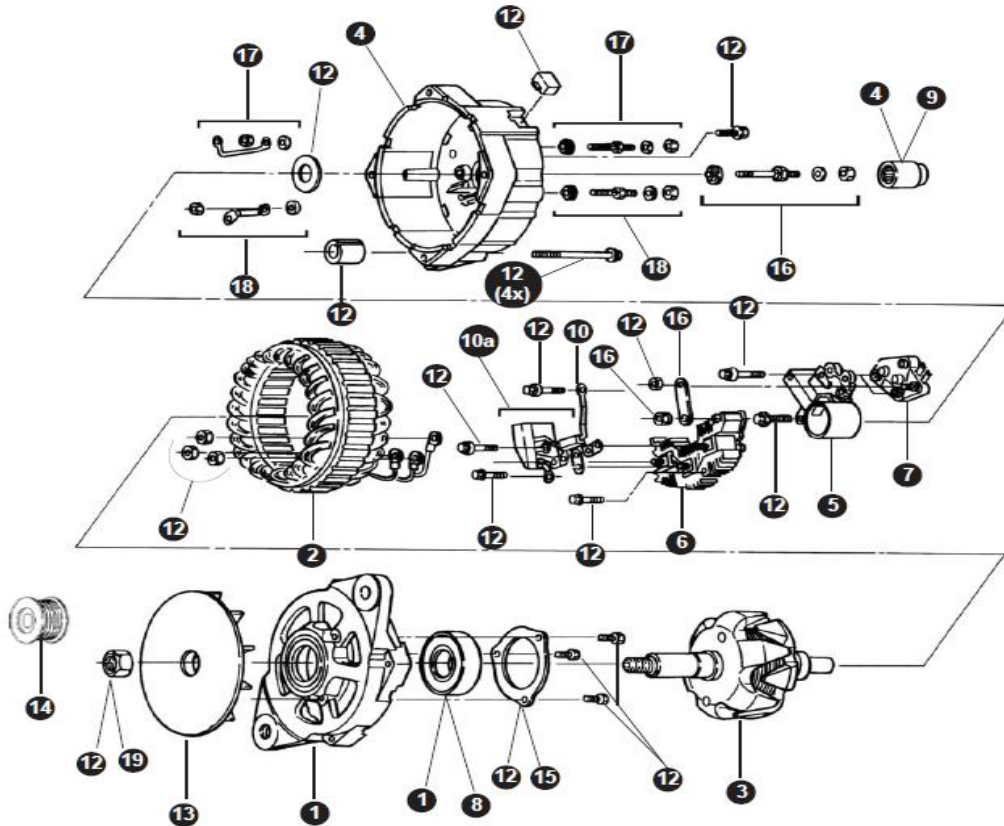


ALTERNADOR 20 SI



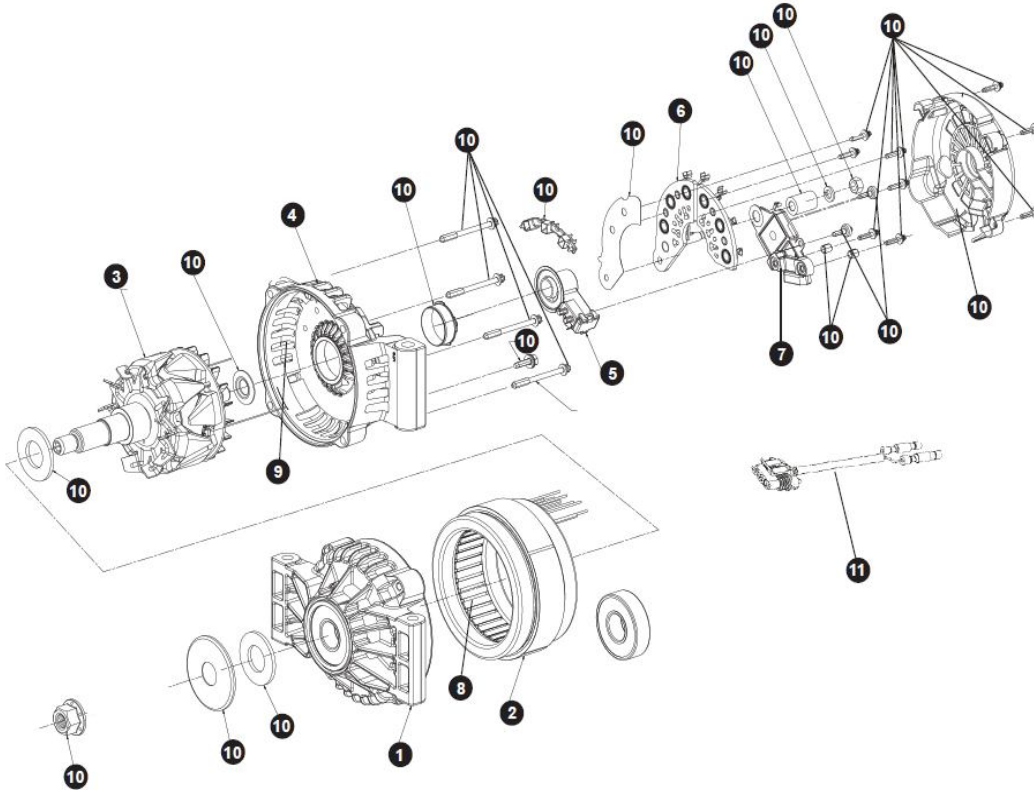
| ITEM | REF | DESCRIPCION |
|------|----------|----------------------------------|
| 1 | 1894483 | TAPA P/BALINERA ALT |
| 2 | 1894490 | CORONA ALT 12V 60AMP |
| 2 | 1894467 | CORONA ALT 24V 35AMP |
| 4 | 10475809 | TAPA P/RODILLO ALT |
| 5 | 1894492 | BOBINA ALT 12V 60AMP |
| 5 | 1894474 | BOBINA ALT 24V 35 AMP |
| 6 | 1984638 | RECT ALTERN 60AMP |
| 7 | 1116433 | REGULADOR ALT 12V VR182 TORNILLO |
| 7 | 1116405 | REGULADOR ALT 24V VR206 |
| 10 | 10517359 | TRIDIODO ALT REEMP 1987324 |
| 14 | 1974414 | KIT REPARACION ALT |
| 15 | 1894627 | KIT REPARACION ALT |

ALTERNADOR 22 SI



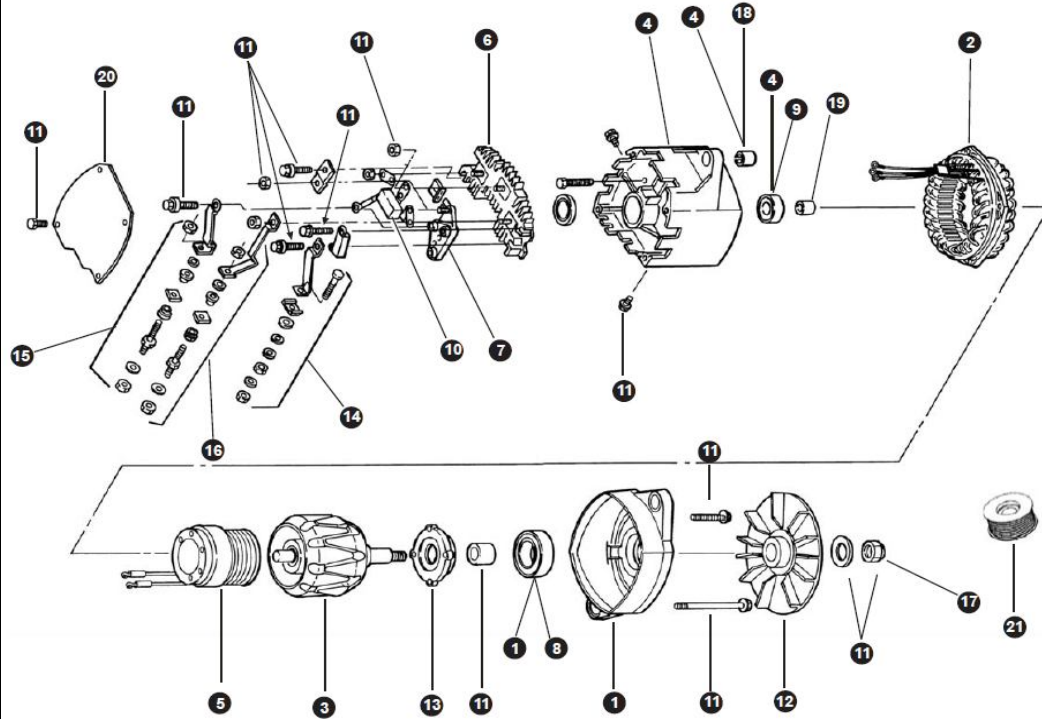
| ITEM | REF | DESCRIPCION |
|------|----------|-------------------------------------|
| 1 | 10492754 | TAPA P/BALINERA ALT |
| 2 | 10510004 | CORONA ALT 12V 130AMP |
| 2 | 10470875 | CORONA ALT 24V 70AMP |
| 3 | 10492756 | ROTOR ALT 12V 130AMP 10493722 |
| 3 | 10477863 | ROTOR ALT 24V 70AMP |
| 3 | 10483839 | ROTOR ALT 24V 70AMP |
| 4 | 10492747 | TAPA P/RODILLO ALT |
| 5 | 10492749 | PORTA ESCOBILLAS ALT |
| 6 | 10512366 | P/DIODO ALT 70AMP 24V |
| 6 | 10512367 | RECTIFICADOR ALT 130AMP 10501636 |
| 7 | 1116433 | REGULADOR ALT 12V VR182 TORNILLO |
| 7 | 1116405 | REGULADOR ALT 24V VR206 |
| 10 | 10517356 | TRIDIODO ALT CON CAPACITOR 10487805 |
| 12 | 10457626 | KIT REPARACION |
| 13 | 10471121 | VENTILADOR ALTERNADOR 20/21/22SI |
| 16 | 1852519 | TERMINAL ALTERNADOR |
| 17 | 10457625 | KIT REPARACION ALT 7 PIEZAS F 8 |
| 18 | 10457624 | KIT REPARACION ALT 7 PIEZAS G 8 |

ALTERNADOR 24 SI



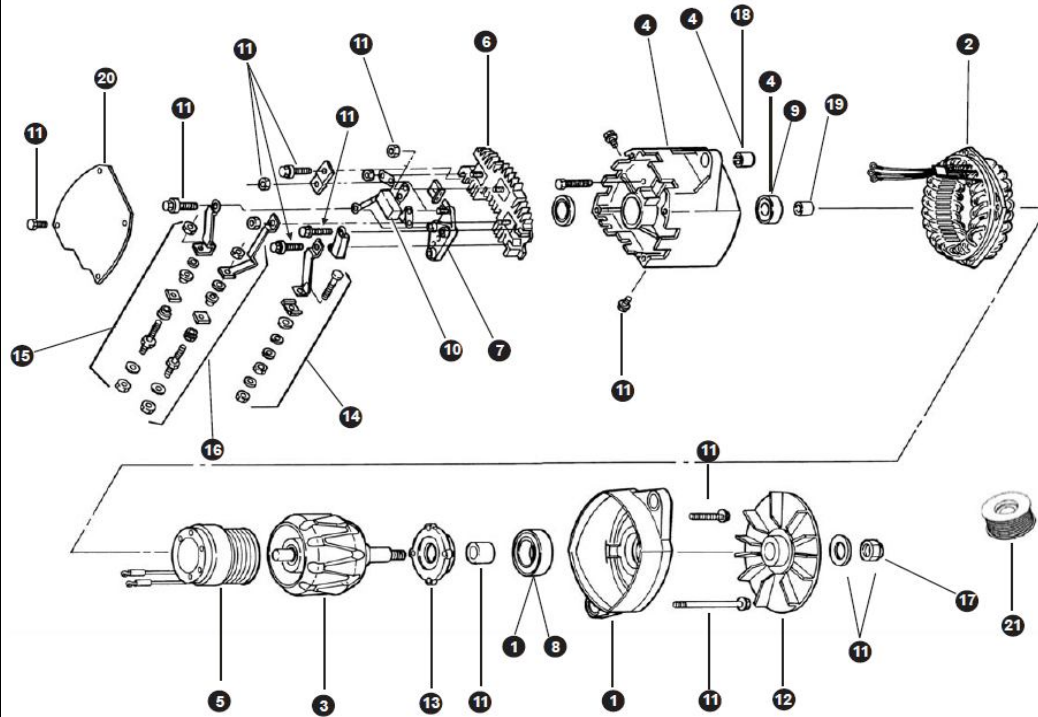
| ITEM | REF | DESCRIPCION |
|------|----------|------------------------------|
| 1 | 10514577 | TAPA DELANTERA ALT |
| 1 | 10514576 | TAPA P/BALINERA ALT CUADRADA |
| 2 | 10511131 | CORONA ALT 12V 160AMP |
| 2 | 10510449 | CORONA ALT 24V 70AMP |
| 3 | 10510954 | ROTOR ALT 12V 160AMP |
| 3 | 10510452 | ROTOR ALT 24V |
| 4 | 10502886 | TAPA P/RODILLO ALT CUADRADA |
| 4 | 10510198 | TAPA TRASERA ALT |
| 5 | 10503492 | PORTA ESCOBILLAS ALT |
| 6 | 10502870 | RECTIFICADOR ALT 12V |
| 6 | 10510456 | P/DIODO ALT 24V |
| 7 | 10514474 | REGULADOR ALT 12V 160AMP |
| 7 | 10521828 | REGULADOR ALT 24V 10514476 |
| 7 | 10526698 | REG ALT 24V |

ALTERNADOR 33/34 SI



| ITEM | REF | APLICACIÓN |
|------|----------|--|
| 1 | 10491185 | TAPA PORTA BALINERA |
| 2 | 10492139 | CORONA ALT 12V 110AMP |
| 2 | 10491242 | CORONA ALT 12V 135AMP |
| 2 | 10491184 | CORONA ALT 24V 100AMP |
| 3 | 1968904 | ROTOR (NUCLEO) ALT |
| 4 | 10491175 | TAPA PORTA RODILLO |
| 5 | 10493231 | BOBINA ALT 24V 100AMP |
| 6 | 10511353 | RECTIFICADOR ALT 130AMP |
| 7 | 1116433 | REGULADOR ALT 12V VR182 TORNILLO |
| 7 | 1116405 | REGULADOR ALT 24V VR206 |
| 9 | 10500435 | RODAMIENTO TRASERO |
| 10 | 10517357 | TRIDIODO ALT |
| 11 | 10457485 | KIT REPARACION ALTERNADOR 35/36SI |
| 12 | 10467133 | VENTILADOR ALTERNADOR 25/26/30/33/34/35/36SI |
| 14 | 10457488 | KIT TERMINAL DE SALIDA ALT 10 PZS |
| 15 | 10457487 | KIT TORNILLOS TERMINALES R-I CON AISLANTES ALTERNADOR 33/34/ |
| 19 | 9436063 | PISTA BALINERA TAPA TRASERA ALT |

ALTERNADOR 35 SI



| ITEM | REF | APLICACIÓN |
|------|----------|---------------------------------|
| 2 | 10491242 | CORONA ALT 12V 135AMP |
| 3 | 1968904 | ROTOR (NUCLEO) ALT |
| 6 | 10511353 | RECTIFICADOR ALT 130AMP |
| 6 | 10512371 | P/DIODO ALT 12V |
| 9 | 10500435 | RODAMIENTO TRASERO |
| 10 | 10517357 | TRIDIODO ALT |
| 19 | 9436063 | PISTA BALINERA TAPA TRASERA ALT |