

# **H** PARTS LIST

INTRAAX® AAT —  
23K, 25K, 30K

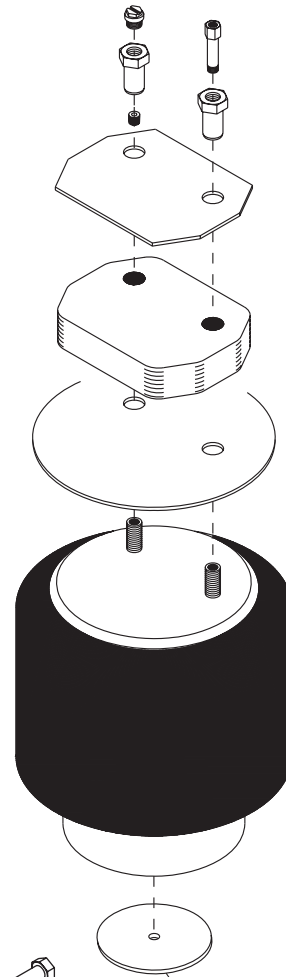
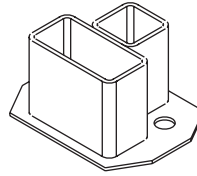
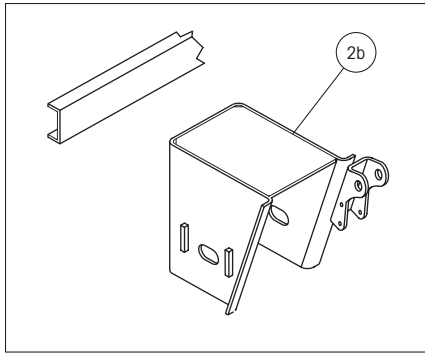
LIT NO: L405

DATE: December 2008

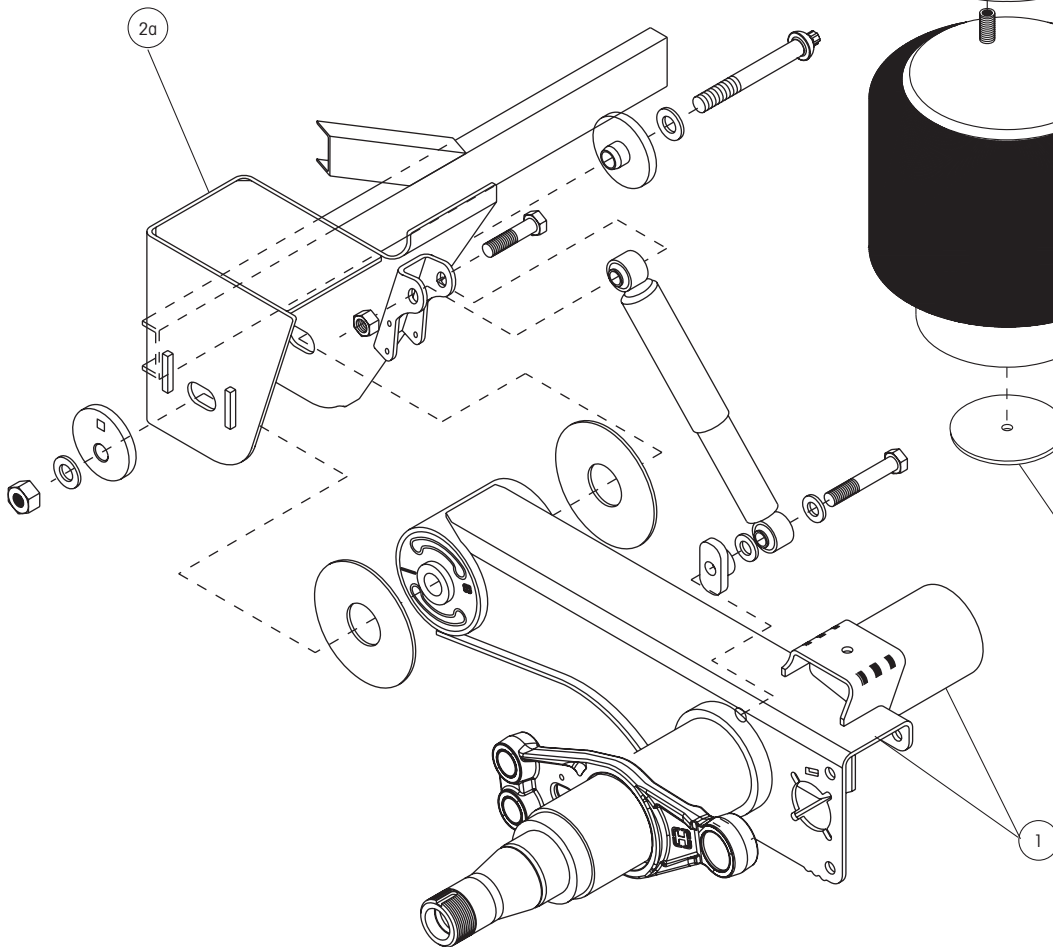
REVISION: F

---





Used on 25K  
and 30K only

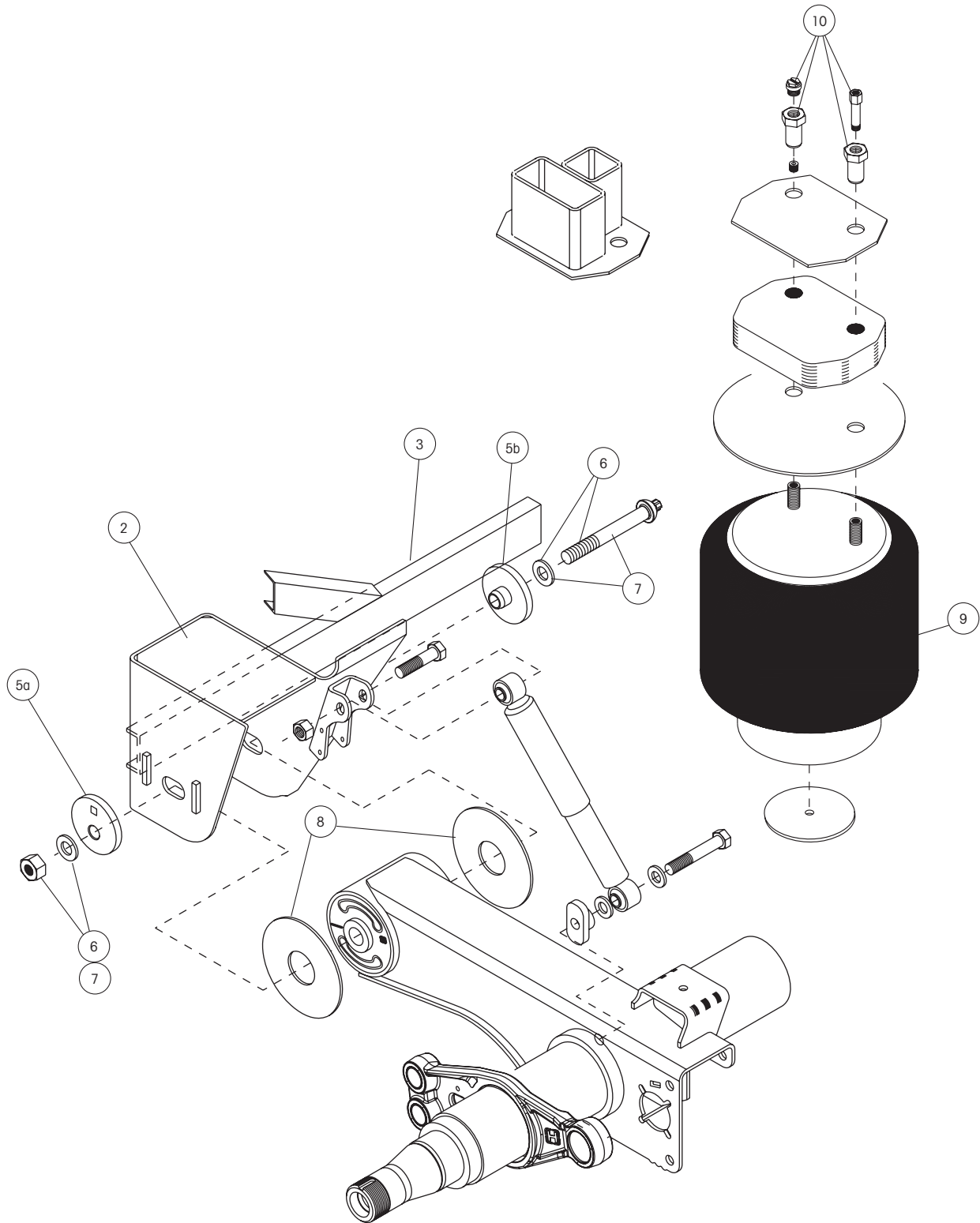




# INTRAAAX® AAT — 23K, 25K, 30K PARTS LIST

ITEM	DESCRIPTION	PART NO.	PER AXLE	NOTE
1	<b>AXLE/BEAM WELDMENT</b>	HTRAAX.XX		Contact Hendrickson for assistance
2	<b>FRAME BRACKET<sup>1</sup> (Standard travel)</b>			
2a	<b>8" Winged, weld-on, standard top plate</b>			
	Roadside	S-21028-1	1	13.5", 14" and 15" ride heights
	Curbside	S-21028-2	1	13.5", 14" and 15" ride heights
	<b>8" Winged, weld-on, weld-on top plate</b>			
	Roadside	S-21028-3	1	13.5", 14" and 15" ride heights
	Curbside	S-21028-4	1	13.5", 14" and 15" ride heights
	<b>8" Winged, weld-on, high control</b>			
	Roadside	S-21626-1	1	13.5", 14" and 15" ride heights
	Curbside	S-21626-2	1	13.5", 14" and 15" ride heights
	<b>10" Winged, weld-on, standard top plate</b>			
	Roadside	S-21082-1	1	16" and 17" ride heights
	Curbside	S-21082-2	1	16" and 17" ride heights
	<b>10" Winged, weld-on, weld-on top plate</b>			
	Roadside	S-21082-3	1	16" and 17" ride heights
	Curbside	S-21082-4	1	16" and 17" ride heights
	<b>10" Winged, weld-on, high control</b>			
	Roadside	S-22872-1	1	16" and 17" ride heights
	Curbside	S-22872-2	1	16" and 17" ride heights
	<b>12" Winged, weld-on, standard top plate</b>			
	Roadside	S-21083-1	1	18" and 19" ride heights
	Curbside	S-21083-2	1	18" and 19" ride heights
2b	<b>8" Wingless, weld-on</b>			
	Roadside	S-21905-1	1	13.5", 14" and 15" ride heights
	Curbside	S-21905-2	1	13.5", 14" and 15" ride heights
	<b>8" Wingless, weld-on w/ extended frame bracket, or High Control</b>			
	Roadside	S-23000-1	1	13.5", 14" and 15" ride heights
	Curbside	S-23000-2	1	13.5", 14" and 15" ride heights
	<b>10" Weld-on, wingless</b>			
	Roadside	S-21906-1	1	16" and 17" ride heights
	Curbside	S-21906-2	1	16" and 17" ride heights
	<b>10" Weld-on, wingless w/ High Control</b>			
	Roadside	S-24851-1	1	16" and 17" ride heights
	Curbside	S-24851-2	1	16" and 17" ride heights
	<b>12" Wingless, weld-on</b>			
	Roadside	S-22770-1	1	18" and 19" ride heights
	Curbside	S-22770-2	1	18" and 19" ride heights
2c	<b>11" Winged, bolt-on 1/2" bolt diameter (Not Shown)</b>			
	Roadside	S-28135-1	1	12" ride height
	Curbside	S-28135-2	1	12" ride height
	<b>8" Winged, bolt-on, 1/2" bolt diameter (Not Shown)</b>			
	Roadside	S-21084-1	1	13.5", 14" and 15" ride heights
	Curbside	S-21084-2	1	13.5", 14" and 15" ride heights
	<b>10" Winged, bolt-on, 1/2" bolt diameter (Not Shown)</b>			
	Roadside	S-21085-1	1	16" and 17" ride heights
	Curbside	S-21085-2	1	16" and 17" ride heights
	<b>12" Winged, bolt-on, 1/2" bolt diameter (Not Shown)</b>			
	Roadside	D-21086-1	1	18" and 19" ride heights
	Curbside	D-21086-2	1	18" and 19" ride heights
	<b>10" Winged, bolt-on, 1/2" bolt diameter w/ high control (Not Shown)</b>			
	Roadside	S-22776-1	1	13.5", 14" and 15" ride heights
	Curbside	S-22776-2	1	13.5", 14" and 15" ride heights
	<b>12" Winged, bolt-on, 1/2" bolt diameter w/ high control (Not Shown)</b>			
	Roadside	D-23840-1	1	16" and 17" ride heights
	Curbside	D-23840-2	1	16" and 17" ride heights

<sup>1</sup> Other options exist including standard travel bolt-on frame brackets, bolt-on frame brackets for limited travel and high control applications and weld-on frame brackets for limited travel and high control applications. High control applications include dollies, full trailers and pups used in doubles or triples. Contact Hendrickson for assistance in determining a part number for the above applications.



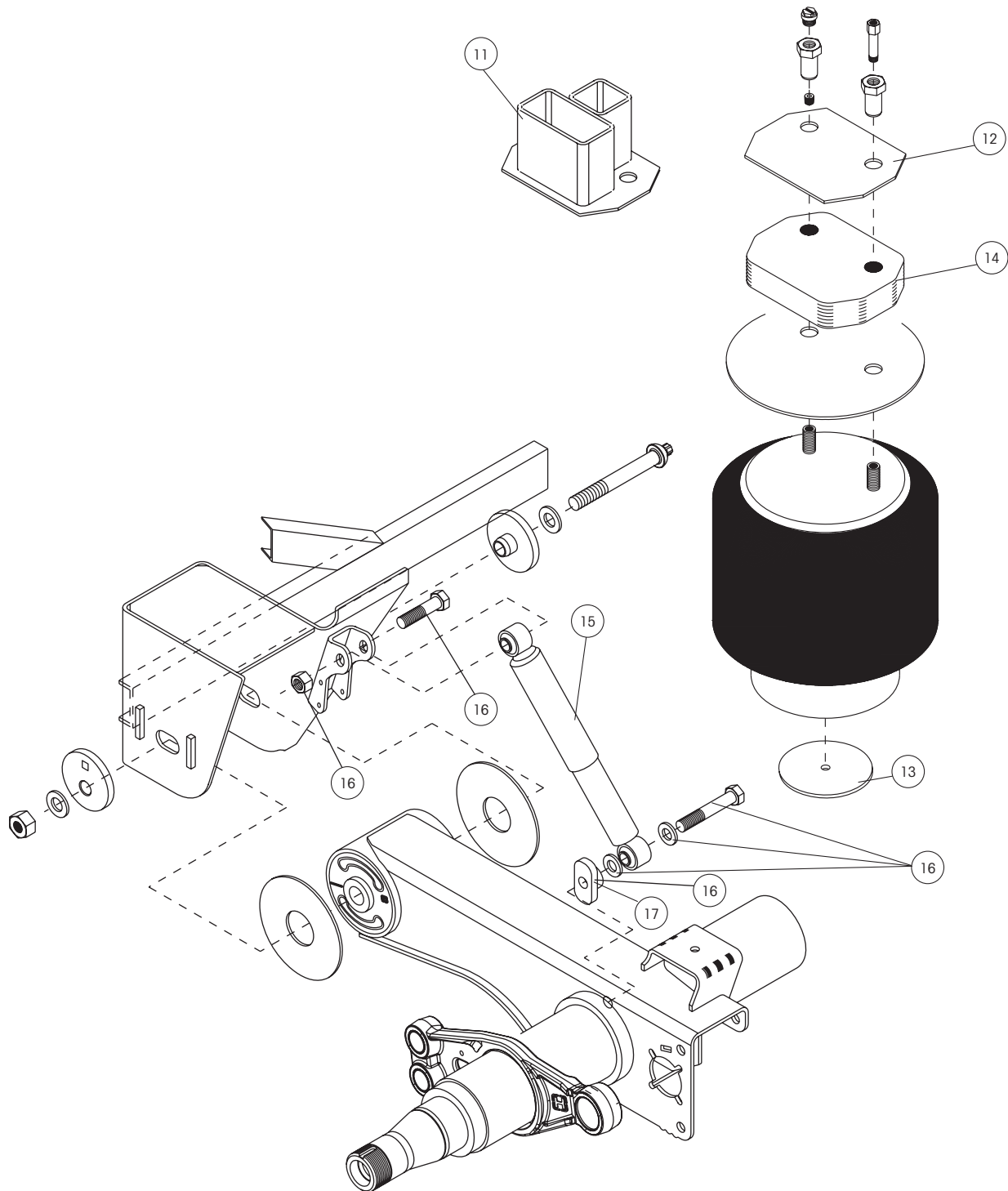


ITEM	DESCRIPTION	PART NO.	PER AXLE	NOTE
<b>2</b>	<b>FRAME BRACKET<sup>1</sup> (Standard travel) CONTINUED</b>			
	<b>2d 8" Winged, bolt-on, 5/8" bolt diameter</b> (Not Shown)			
	Roadside	S-21628-1	1	13.5", 14" and 15" ride heights
	Curbside	S-21628-2	1	13.5", 14" and 15" ride heights
	<b>10" Winged, bolt-on, 5/8" bolt diameter</b> (Not Shown)			
	Roadside	S-21629-1	1	16" and 17" ride heights
	Curbside	S-21629-2	1	16" and 17" ride heights
	<b>12" Winged, bolt-on, 5/8" bolt diameter</b> (Not Shown)			
	Roadside	D-24535-1	1	18" and 19" ride heights
	Curbside	D-24535-2	1	18" and 19" ride heights
	<b>10" Winged, bolt-on 5/8" bolt diameter w/ high control</b> (Not Shown)			
	Roadside	S-26978-1L	1	13.5", 14" and 15" ride heights
	Curbside	S-26978-1R	1	13.5", 14" and 15" ride heights
	<b>12" Winged, bolt-on, 5/8" bolt diameter w/ high control</b> (Not Shown)			
	Roadside	S-26978-2L	1	16" and 17" ride heights
	Curbside	S-26978-2R	1	16" and 17" ride heights
<b>3</b>	<b>FRAME BRACKET CHANNEL</b>			
	Axle track of 71.5" to 77.5"	A-1631-19	1	13.5" to 19" ride heights
	Axle track of 83.5" to 85"	A-1621-35	1	13.5" to 19" ride heights
<b>4</b>	<b>FRAME BRACKET GUSSET</b> (Not Shown)	S-27330	2	13.5" to 19" ride heights
<b>5</b>	<b>ALIGNMENT COLLARS</b>			
	<b>5a</b> Eccentric alignment collar (outer)	S-20925	2	Pivot hole is offset from the center of collar
	<b>5b</b> Concentric alignment collar (inner)	S-20924	2	Pivot hole is in center of collar
<b>6</b>	<b>QUIK-ALIGN® PIVOT BOLT KIT<sup>2</sup></b>	S-24679	2	Includes 10" shear-type bolt, nut and washers
<b>7</b>	<b>QUIK-ALIGN PIVOT BUSHING KIT<sup>2,3,4</sup></b>			
	Standard	S-24691	2	Includes bushing, pivot bolt kit, bushing tube spacers and lube
<b>8</b>	<b>BUSHING TUBE SPACERS</b>			
	Standard	S-21099	4	(4) required per axle
<b>9</b>	<b>AIR SPRING</b>			
	AAT 23K models	S-21800	2	13.5" to 19" ride heights
		S-26773	2	12" - 13" ride height
	AAT 25K models	S-4771	2	12" ride height
		S-21784	2	13.5" to 19" ride heights
	AAT 30K models	S-27341	2	
<b>10</b>	<b>AIR SPRING MOUNTING KIT</b>			One per air spring; Includes air fittings, hex flange nuts, plugs and extension nuts
	12" ride height	S-4903/2	2	
	13.5", 14", 18" and 19" ride heights	S-22619/2	2	
	15" ride height	S-22630/2	2	
	16" ride height	S-22631/2	2	
	17" ride height	S-22632/2	2	

<sup>2</sup> Best installed with Hendrickson's E-20 socket S-24536 (1-inch drive sleeveless), S-25119 (1-inch drive sleeve) or S-24303 (3/4-inch drive)

<sup>3</sup> Picture may not resemble all models. Hendrickson recommends S-25119.

<sup>4</sup> Bushing tool, S-21307 is required to correctly rebush the suspension.





ITEM	DESCRIPTION	PART NO.	PER AXLE	NOTE
<b>11</b>	<b>AIR SPRING SPACER ASSEMBLY</b>			
	<b>11a AAT 23K and 25K models</b>			
	Steel, weld-on, 1 <sup>5</sup> / <sub>16</sub> " Thick spacer assembly	C-22302-2	2	Typically 15" ride height
	Steel, weld-on, 2 <sup>1</sup> / <sub>16</sub> " Thick spacer assembly	C-22302-3	2	Typically 16" ride height
	Steel, weld-on, 3 <sup>5</sup> / <sub>16</sub> " Thick spacer assembly	C-22302-4	2	Typically 17" ride height
	Steel, weld-on, 4 <sup>1</sup> / <sub>16</sub> " Thick spacer assembly	C-22302-5	2	Typically 18" ride height
	Steel, weld-on, 5 <sup>5</sup> / <sub>16</sub> " Thick spacer assembly	C-22302-6	2	Typically 19" ride height
	<b>11b AAT 30K models</b>			
	Steel, weld-on, 1 <sup>5</sup> / <sub>16</sub> " Thick spacer assembly	D-27049-9	2	Typically 15" ride height
	Steel, weld-on, 2 <sup>1</sup> / <sub>16</sub> " Thick spacer assembly	D-27049-10	2	Typically 16" ride height
	Steel, weld-on, 3 <sup>5</sup> / <sub>16</sub> " Thick spacer assembly	D-27049-8	2	Typically 17" ride height
	Steel, weld-on, 4 <sup>1</sup> / <sub>16</sub> " Thick spacer assembly	D-27049-10	2	Typically 18" ride height
	Steel, weld-on, 5 <sup>5</sup> / <sub>16</sub> " Thick spacer assembly	D-27049-2	2	Typically 19" ride height
<b>12</b>	<b>AIR SPRING MOUNTING PLATE</b>			
	<b>12a</b> Weld-on	S-20905	2	13.5" to 19" ride height
		S-23294		Used on AAT 30K with 13.5" and 14" ride height
	<b>12b</b> Bolt-on	B-21145	2	Distance from outboard side of spacer to center of first trailer frame mounting bolt hole is 1.5"; 13" to 17" ride heights; STD and LR
		B-22390	2	Distance from outboard side of spacer to center of first trailer frame mounting bolt hole is 2 <sup>1</sup> / <sub>4</sub> " 13" to 17" ride heights; STD and LR
		B-21715	2	Distance from outboard side of spacer to center of first trailer frame mounting bolt hole is 1 <sup>3</sup> / <sub>4</sub> "; 13" to 17" ride heights; STD and LR
		B-27264	2	13.5" to 19" ride height; STD and LR
		C-20192	2	12" Ride height
<b>13</b>	<b>AIR SPRING BOTTOM DISK</b>	S-21786		
<b>14</b>	<b>AIR SPRING SPACER</b>			
	Plastic, 1 <sup>1</sup> / <sub>8</sub> " Thick spacer	B-22510-1	2	15" ride height
	Plastic, 1 <sup>7</sup> / <sub>8</sub> " Thick spacer	B-22510-2	2	16" ride height
	Plastic, 3 <sup>1</sup> / <sub>8</sub> " Thick spacer	B-22510-3	2	17" ride height
<b>15</b>	<b>SHOCK ABSORBER<sup>1</sup></b>			
	Standard duty	S-23566	2	For use on 23K and 25K models
	Limited rebound	S-23361	2	For use on 23K and 25K models
	Extended service with high dampening	S-24023	2	For use on all 30K models some 23K and 25K models
<b>16</b>	<b>SHOCK ABSORBER BOLT KIT<sup>1</sup></b>			One (1) required per shock
	23K and 25K models shipped before 8/11/95	S-20896/2	2	
	23K and 25K models shipped after 8/11/95	S-24021	2	
	30K front mounted shock	S-24021	2	
	30K rear mounted shock	S-20031/2	2	
<b>17</b>	<b>SHOCK SPACER</b>	S-27196	2	

<sup>1</sup>Picture may not resemble all models.

---

[www.hendrickson-intl.com](http://www.hendrickson-intl.com)



Trailer Suspension Systems  
250 Chrysler Drive, Unit #3  
Brampton, ON Canada L6S 6B6  
905.789.1030  
Fax 905.789.1033

Trailer Suspension Systems 866.RIDEAIR (743.3247)  
2070 Industrial Place SE 330.489.0045  
Canton, OH 44707-2641 USA Fax 800.696.4416

Trailer Suspension Systems  
Av. Industria Automotriz #200  
Parque Industrial Siiva Aeropuerto  
Apodaca, N.L., México C.P. 66600  
+52 81 8288 1300  
Fax +52 81 8288 1301