



DRIVELINE COMPONENTS CATALOG TUBING AND TUBE & TUBE YOKE ASSEMBLIES



J300P-6
APRIL 2006

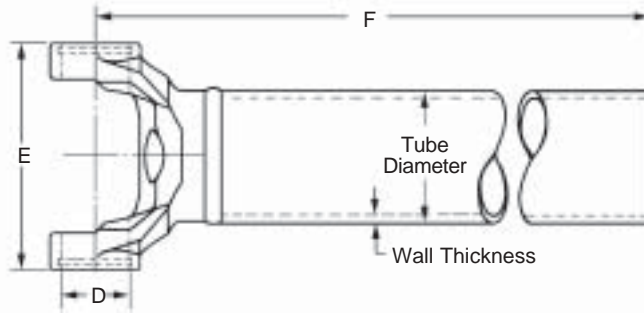
Supersedes
J300P-6 Dated
September 2004



People Finding A Better Way[®]

TUBE & YOKE ASSEMBLIES

Snap Ring Construction

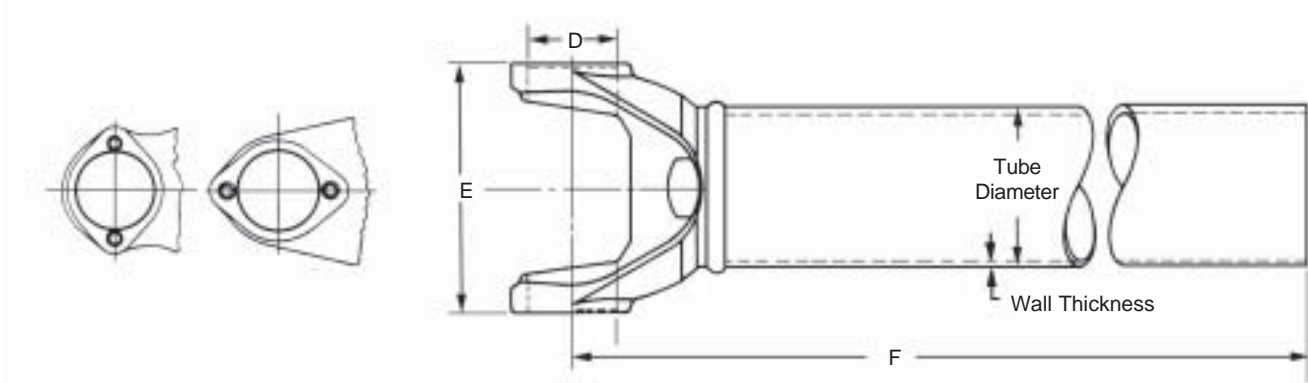


Tube Outside Diameter	Wall Thickness	Tubing Base Part Number	Tube Length	F	Tube Yoke Part Number	Spicer Part Number
				Centerline to End of Tube		
1310 SERIES		E-3.469	D-1.062	USE KITS 5-153X, 5-200X, 5-785X		
2.0000	.0830-W	16-30-62	47.7500	49.4380	2-28-357	2-27-7-4724
2.5000	.0830-W	20-30-22	60.5310	62.3750	2-28-367	2-27-9-6017
3.0000	.0830-W	24-30-42	60.0000	61.6880	2-28-437	2-27-24-6000
1330 SERIES		E-3-625	D-1.062	USE KIT 5-213X, 5-790X		
3.0000	.0650-W	24-30-32	48.0000	41.7190	2-28-1177	2-27-29-4800
1350 SERIES		E-3.875	D-1.188	USE KIT 5-178X, 5-799X		
3.0000	.0830-W	24-30-42	64.0000	66.0000	3-28-57	3-27-2-6400
3.5000	.0650-W	28-30-42	72.0000	73.6880	3-28-257	3-27-5-7200
1480 SERIES		E-4.438	D-1.375	USE KIT 5-188X, 5-803X		
3.5000	.0830-W	28-30-62	61.3120	63.3440	3-28-537	3-27-22-6110



TUBE & YOKE ASSEMBLIES

Bearing Plate Style



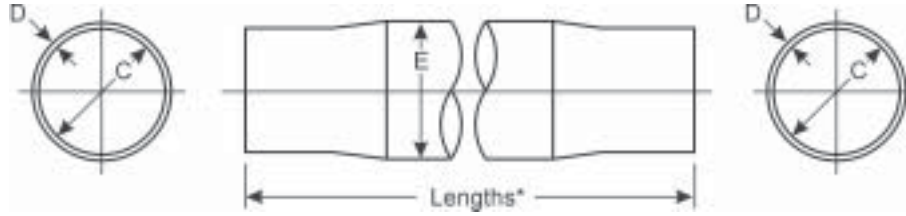
Tube Outside Diameter	Wall Thickness	Tubing Base Part Number	Tube Length	F	Tube Yoke Part Number	Spicer Part Number
				Centerline to End of Tube		
1610 SERIES		E-5.312 D-1.875		USE KIT 5-279X, 5-674X		
3.5000	.1340-W	28-30-92	40.0000	43.0000	5-28-627	5-27-25-4000
1710 SERIES		E-6.094 D-1.938		USE KIT 5-280X, 5-675X		
4.0000	.1340-W	32-30-52	60.0000	63.0310	6-28-347	6-27-17-6000
4.0000	.1340-W	32-30-52	71.9690	75.0000	6-28-347	6-27-17-7131
4.0950	.1800-W	32-30-72	57.0000	60.0310	6-28-347	6-27-21-5700
1760 SERIES		E-7.000 D-1.938		USE KIT 5-407X, 5-677X		
4.0900	.1800-W	32-30-72	60.0000	63.0130	6.3-28-17	6.3-27-3-6000
1810 SERIES		E-7.547 D-1.938		USE KITS 5-281X, 5-676X		
4.5000	.1340-W	36-30-62	60.0000	63.3750	6.5-28-117	6.5-27-9-6000



Important: See Safety Information in General Information Section (J300P-GI)

ALUMINUM TUBING

Swaged Both Ends



NOTE: The part numbering system includes tube length in the last set of numbers, with the last two digits as the number of 1/32 of an inch. Part numberings ending with "M" are measured in millimeters.

Example: -6025 is a 60 ²⁵/₃₂" long tube, -1862M is a 1862mm long tube

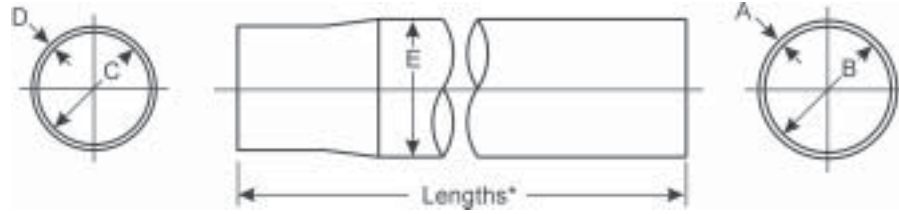
* Tubing size 3.9800 x .0750 uses the same aluminum tube yoke as 4.000 x .083 wall tubing.
 Tubing size 5.0200 x .0750 uses the same aluminum tube yoke as 5.000 x .065 wall tubing.
 Tubing size 5.0600 x .0920 uses the same aluminum tube yoke as 5.000 x .065 wall tubing.

B Wall Thickness	S=Seamless W=Welded D=D.O.M.-Drawn Over Mandrel	Inside Diameter (Nominal)	Part Number
4.1600 Outside Diameter		E=5.0200	
.0860	S	3.9830	212014X-5809 <i>Has foam deadner</i>
.0860	S	3.9830	212014X-5903 <i>Has foam deadner</i>
.0860	S	3.9830	212024X-5929 <i>Has foam deadner</i>
.0860	S	3.9830	212014X-6015 <i>Has foam deadner</i>
.0860	S	3.9830	212014X-6025 <i>Has foam deadner</i>
5.0600 Outside Diameter		E=5.7750*	
.0920	S	4.8730	212218X-6924 <i>Has foam deadner</i>
.0920	S	4.8730	212218X-6820 <i>Has foam deadner</i>
.0920	S	4.8730	212218X-1862M <i>1862mm tube length; Has foam deadner</i>
.0920	S	4.8730	212218X-1771M <i>1771mm tube length; Has foam deadner</i>



ALUMINUM TUBING

Swaged One End



NOTE: The part numbering system includes tube length in the last set of numbers, with the last two digits as the number of 1/32 of an inch. Part numberings ending with "M" are measured in millimeters.

Example: -6411 is a 64 ¹¹/₃₂" long tube

* Tubing size 3.9800 x .0750 uses the same aluminum tube yoke as 4.000 x .083 wall tubing.
 Tubing size 5.0200 x .0750 uses the same aluminum tube yoke as 5.000 x .065 wall tubing.
 Tubing size 5.0600 x .0920 uses the same aluminum tube yoke as 5.000 x .065 wall tubing.

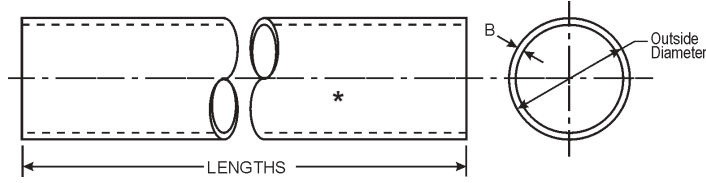
Wall Thickness		S=Seamless W=Welded D=D.O.M.-Drawn Over Mandrel	Inside Diameter (Nominal)		Part Number
D	B		Small ID	Large ID	
4.1600 Outside Diameter		E=5.0200			
.0860	.0750	S	3.9830	4.8730	212013X-5920 <i>Has foam deadner</i>
.0860	.0750	S	3.9830	4.8730	212013X-6005 <i>Has foam deadner</i>
.0860	.0750	S	3.9830	4.8730	212013X-6431 <i>Has foam deadner</i>
.0860	.0750	S	3.9830	4.8730	212013X-6519 <i>Has foam deadner</i>
.0860	.0750	S	3.9830	4.8730	212013X-6804 <i>Has foam deadner</i>
.0860	.0750	S	3.9830	4.8730	212013X-6826 <i>Has foam deadner</i>
.0860	.0750	S	3.9830	4.8730	212013X-6405 <i>Has foam deadner</i>
.0860	.0750	S	3.9830	4.8730	212013X-6431 <i>Has foam deadner</i>
.0860	.0750	S	3.9830	4.8730	212013X-6509 <i>Has foam deadner</i>



Important: See Safety Information in General Information Section (J300P-GI)

ALUMINUM TUBING

Straight Tube



NOTE: The part numbering system includes tube length in the last set of numbers, with the last two digits as the number of 1/32 of an inch. Part numberings ending with "M" are measured in millimeters.

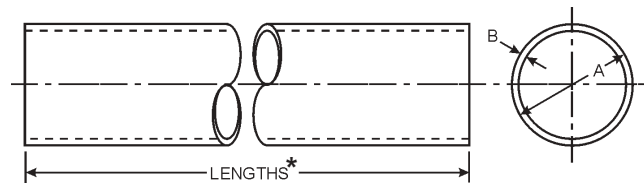
Example: -1216 is a 12 ¹⁶/₃₂" long tube, -1607M is a 1607mm long tube

* Tubing size 3.9800 x .0750 uses the same aluminum tube yoke as 4.000 x .083 wall tubing.
 Tubing size 5.0200 x .0750 uses the same aluminum tube yoke as 5.000 x .065 wall tubing.
 Tubing size 5.0600 x .0920 uses the same aluminum tube yoke as 5.000 x .065 wall tubing.

B Wall Thickness	S=Seamless W=Welded D=D.O.M.-Drawn Over Mandrel	Inside Diameter (Nominal)	Part Number
3.5000 Outside Diameter			
.1200	S	3.2660	28-38-12-1216
3.9800 Outside Diameter			
.0750	S	3.8360	212247X-1580M <i>1580mm tube length</i>
.0750	S	3.8360	212247X-1607M <i>1607mm tube length</i>
.0750	S	3.8360	212247X-1632M <i>1632mm tube length</i>
.0750	S	3.8360	212247X-1643M <i>1643mm tube length</i>
5.0200 Outside Diameter			
.0750	S	4.8730	212009X-1742M <i>1742mm tube length</i>
.0750	S	4.8730	212009X-1937M <i>1937mm tube length</i>
.0750	S	4.8730	212009X-5903 <i>Has foam deadner</i>
.0750	S	4.8730	212009X-6129 <i>Has foam deadener</i>



TUBING



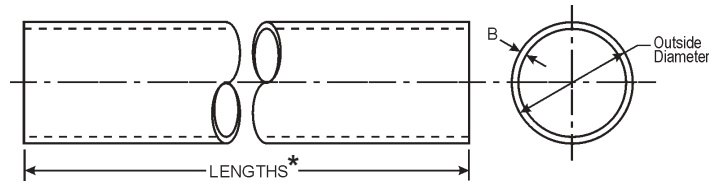
* NOTE: The part numbering system includes tube length in the last set of numbers, with the last two digits as the number of 1/32 of an inch.

Example: -7400 is a 74" long tube, -4724 is a 47 ²⁴/₃₂" long tube, -10000 is a 100" long tube

B Wall Thickness	S=Seamless W=Welded D=D.O.M.-Drawn Over Mandrel	Inside Diameter (Nominal)	Gauge	Part Number
1.2500 Outside Diameter				
.0950	W	1.0600	13	10-30-42-10000
.1200	S	1.0100	11	10-32-92-10000
.1880	S	.8750	7	10-32-72-10000
1.7500 Outside Diameter				
.0650	W	1.6200	16	14-30-12-10000
.0650	W	1.6200	16	14-30-12-5400
.0950	W	1.5600	13	14-30-62-10000
.0950	W	1.5600	13	14-30-62-7400
2.0000 Outside Diameter				
.0650	W	1.8700	16	16-30-32-10000
.0830	D	1.8340		DT16-30-62 <i>108" long</i>
.0830	W	1.8340	14	16-30-62-10000
.0830	W	1.8340	14	16-30-62-5400
.0830	W	1.8340	14	16-30-62-7400
.1200	D	1.7600	11	DT16-30-102 <i>108" long</i>
.1200	W	1.7600	11	16-30-102-10000
2.5000 Outside Diameter				
.0650	W	2.3700	16	20-30-12-10000
.0650	W	2.3700	16	20-30-12-5400
.0650	W	2.3700	16	20-30-12-7400
.0830	D	2.3340		DT20-30-22 <i>108" long</i>
.0830	W	2.3340	14	20-30-22-10000
.0830	W	2.3340	14	20-30-22-7400
.0950	W	2.3100	13	20-30-52-10000
.0950	W	2.3100	13	20-30-52-5400
2.7500 Outside Diameter				
.0650	D	2.6200		DT22-30-12 <i>108" long</i>
.0650	W	2.6200	16	22-30-12-10000
.0650	W	2.6200	16	22-30-12-7400
.0830	W	2.5840	14	22-30-22-10000
3.0000 Outside Diameter				
.0650	D	2.8700		DT24-30-32 <i>108" long</i>
.0650	W	2.8700	16	24-30-32-10000
.0650	W	2.8700	16	24-30-32-7400
.0830	D	2.8340		DT24-30-42 <i>108" long</i>
.0830	W	2.8340	14	24-30-42-10000

Continued on next page





*NOTE: The part numbering system includes tube length in the last set of numbers, with the last two digits as the number of 1/32 of an inch.

Example: -7400 is a 74" long tube, -4724 is a 47 ²⁴/₃₂" long tube, -10000 is a 100" long tube

B Wall Thickness	S=Seamless W=Welded D=D.O.M.-Drawn Over Mandrel	Inside Diameter (Nominal)	Gauge	Part Number
3.0000 Outside Diameter (Continued)				
.0830	W	2.8340	14	24-30-42-7400
.0950	W	2.8100	13	24-30-12-10000
.0950	W	2.8100	13	24-30-12-7400
.1200	S	2.7600	11	24-32-142-10000
.1340	W	2.7320	10	24-30-72-10000
.1340	W	2.7320	10	24-30-72-7400
3.5000 Outside Diameter				
.0650	D	3.3700		DT28-30-42 <i>108" long</i>
.0650	W	3.3700	16	28-30-42-10000
.0650	W	3.3700	16	28-30-42-7400
.0830	D	3.3340		DT28-30-62 <i>108" long</i>
.0830	W	3.3340	14	28-30-62-10000
.0830	W	3.3340	14	28-30-62-7400
.0950	D	3.3100		DT28-30-22 <i>108" long</i>
.0950	W	3.3100	13	28-30-22-10000
.0950	W	3.3100	13	28-30-22-7400
.1340	D	3.2320		DT28-30-92 <i>108" long</i>
.1340	W	3.2320	10	28-30-92-10000
.1340	W	3.2320	10	28-30-92-7400
.1560	D	3.1880		DT28-30-52 <i>108" long</i>
.1560	W	3.1880	9	28-30-52-10000
.1560	W	3.1880	9	28-30-52-7400
3.5500 Outside Diameter				
.2070	D	3.1360	6	28-30-122-10000
.2070	D	3.1360	6	28-30-122-6800
3.9800 Outside Diameter				
.0750	S	3.8360		212247X-1607M <i>Aluminum tube; 63-9/32" Length</i>
4.0000 Outside Diameter				
.0650	D	3.8700		DT143T <i>108" long</i> 72" long
.0830	D	3.8340		DT32-30-22 <i>108" long</i>
.0830	S	3.8360		32-38-12-1640M <i>Aluminum Tube; 64-18/32" Length</i>
.0830	S	3.8360		5005665-1526M <i>Aluminum tube; 60-3/32" Length</i>
.0830	W	3.8340	14	32-30-22-10000



B Wall Thickness	S=Seamless W=Welded D=D.O.M.-Drawn Over Mandrel	Inside Diameter (Nominal)	Gauge	Part Number
4.0000 Outside Diameter (Continued)				
.0830	W	3.8340	14	32-30-22-7400
.0950	W	3.8100	13	32-30-12-10000
.0950	W	3.8100	13	32-30-12-7400
.1200	W	3.7600	11	32-30-42-7400
.1340	D	3.7320	13	32-30-92-10000
.1340	D	3.7320	13	32-30-92-7300
.1340	W	3.7320	10	32-30-52-10000
.1340	W	3.7320	10	32-30-52-7400
4.0950 Outside Diameter				
.1800	D	3.7350	7	32-30-72-10000
.1800	D	3.7350	7	32-30-72-7300
4.1600 Outside Diameter				
.0860	S	3.9830		212014X-5809
				<i>Contains Foam Deadener</i>
.0860	S	3.9830		4032-38-32
4.2130 Outside Diameter				
.1380	D	3.9370		100-30-3-10000
.1380	D	3.9370		100-30-3-7300
4.3310 Outside Diameter				
.1970	D	3.9370		100-30-5-10000
.1970	D	3.9370		100-30-5-7300
4.5000 Outside Diameter				
.1340	D	4.2320	10	36-30-62-10000
.1340	D	4.2320	10	36-30-62-7300
.2590	D	3.9820	3	36-30-22-10000
.2590	D	3.9820	3	36-30-22-7300
4.5940 Outside Diameter				
.1800	W	4.2340	7	36-30-102-10000
.1800	W	4.2340	7	36-30-102-7300
4.7240 Outside Diameter				
.1970	D	4.3300		110-30-5-10000
.1970	D	4.3300		110-30-5-7300
4.9600 Outside Diameter				
.1180	D	4.7240		120-30-3-10000
.1180	D	4.7240		120-30-3-7300
5.0590 Outside Diameter				
.1670	D	4.7240		120-30-4-10000
.1670	D	4.7240		120-30-4-7300
5.1180 Outside Diameter				
.1970	D	4.7240		120-30-5-10000
.1970	D	4.7240		120-30-5-7300
5.1960 Outside Diameter				
.2360	D	4.7240		120-30-6-10000
.2360	D	4.7240		120-30-6-7300



2-27-24-6000 2	20-30-52-10000 7	32-30-72-7300 9
2-27-29-4800 2	20-30-52-5400 7	32-30-92-10000 9
2-27-7-4724 2	22-30-12-10000 7	32-30-92-7300 9
2-27-9-6017 2	22-30-12-7400 7	32-38-12-1640M 8
2-28-1177 2	22-30-22-10000 7	36-30-102-10000 9
2-28-357 2	24-30-12-10000 8	36-30-102-7300 9
2-28-367 2	24-30-12-7400 8	36-30-22-10000 9
2-28-437 2	24-30-32 2	36-30-22-7300 9
3-27-22-6110 2	24-30-32-10000 7	36-30-62 3
3-27-2-6400 2	24-30-32-7400 7	36-30-62-10000 9
3-27-5-7200 2	24-30-42 2	36-30-62-7300 9
3-28-57 2	24-30-42 2	4032-38-32 9
3-28-257 2	24-30-42-10000 7	100-30-3-10000 9
3-28-537 2	24-30-42-7400 8	100-30-3-7300 9
5-27-25-4000 3	24-30-72-10000 8	100-30-5-10000 9
5-28-627 3	24-30-72-7400 8	100-30-5-7300 9
6.3-27-3-6000 3	24-32-142-10000 8	
6.3-28-17 3	28-30-122-10000 8	
6.5-27-9-6000 3	28-30-122-6800 8	
6.5-28-117 3	28-30-22-10000 8	
6-27-17-6000 3	28-30-22-7400 8	
6-27-17-7131 3	28-30-42 2	
6-27-21-5700 3	28-30-42-10000 8	
6-28-347 3	28-30-42-7400 8	
6-28-347 3	28-30-52-10000 8	
6-28-347 3	28-30-52-7400 8	
10-30-42-10000 7	28-30-62 2	
10-32-72-10000 7	28-30-62-10000 8	
10-32-92-10000 7	28-30-62-7400 8	
14-30-12-10000 7	28-30-92 3	
14-30-12-5400 7	28-30-92-10000 8	
14-30-62-10000 7	28-30-92-7400 8	
14-30-62-7400 7	28-38-12-1216 6	
16-30-102-10000 7	32-30-12-10000 9	
16-30-32-10000 7	32-30-12-7400 9	
16-30-62 2	32-30-22-10000 8	
16-30-62-10000 7	32-30-22-7400 9	
16-30-62-5400 7	32-30-42-7400 9	
16-30-62-7400 7	32-30-52 3	
20-30-12-10000 7	32-30-52 3	
20-30-12-5400 7	32-30-52-10000 9	
20-30-12-7400 7	32-30-52-7400 9	
20-30-22 2	32-30-72 3	
20-30-22-10000 7	32-30-72 3	
20-30-22-7400 7	32-30-72-10000 9	



CATALOG COMMENT FORM



Dana Corporation strives to publish catalogs that are as accurate and user-friendly as possible. Continuous improvement is our ongoing mission. Therefore, we welcome any and all of our customers' comments. Please forward your comments with any suggested improvements or corrections to our Catalog Department via Fax or mail.

Fax: Product Management / Catalog Department
(419) 866-3924

Mail: Dana Corporation
Heavy Vehicle Technologies and Systems Service
Attn: Product Management / Catalog Department
PO Box 321
Toledo, OH 43697-0321

Comments and Suggested Improvement/Corrections	Page Number	Part Number





Dana Corporation
Heavy Vehicle Technologies and
Systems Service
PO Box 321
Toledo, Ohio 43697-0321
1-800-SAY-DANA (729-3262)
www.dana.com
www.spicerparts.com
www2.dana.com/expert

Dana Corporation
Heavy Vehicle Technologies and
Systems Service - Canada
5095 South Service Road
Beamsville, Ontario LOR 1B0
Tech Service: (905) 563-4991

Dana Corporation
Heavy Vehicle Technologies and
Systems Service - International
(419) 861-6325

