

DRIVELINE COMPONENTS CATALOG SLIP YOKE ASSEMBLIES



**J300P-3
AUGUST 2008**

**Supersedes
Section 3, Dated
September 2004**

Changes from original:

4/3/2009 page 10 corrected slip yoke plug number for 6-3-2651KX

5/28/2009 page 16 corrected hub dia. for part numbers 5001672 & 55-3-21X

How To Use This Catalog

INCLUDED IN THIS CATALOG

Driveshaft Style slip yokes - page 3, Slip Flange- page 12, Splined Sleeves - page 13, Hex, Square and Round Hole- page 15, Transmission-type - page 16,

HOW TO IDENTIFY A PART USING THIS CATALOG

To identify any slip yoke, four pieces of information are required:

1. Determine Series
2. Determine spline O.D.
3. Determine number of teeth
4. Determine length - centerline to end/ face to end / end of spline to weld
5. Determine hub diameter (if a transmission-type slip yoke)

Series and all pertinent series dimensions appear as shown in the sample below:

1100 SERIES	E-2.656 D-.938	USE KIT 5-101X & 5-111X
--------------------	-----------------------	------------------------------------

Spline O.D. and number of teeth are found at the beginning of each data section--

1.062-16 Spline

Individual part data is shown following the spline data heading--

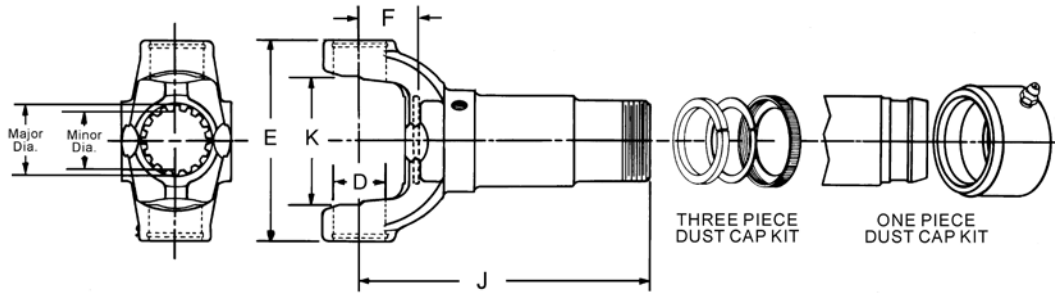
2.875 .938 500174-1 D1A 1-68-14 - SR 1-3-88KX

Footnotes for parts and assemblies that are discontinued, will be discontinued upon depletion of stock, or not sold separately, are indicated by a symbol next to the part number. Match the symbol to the appropriate status at the bottom of the page. All other footnotes are located immediately below the yoke dimensional data.

IMPORTANT NOTICE: The data listed herein is correct to the best of our knowledge and belief; having been compiled from reliable and official sources of information. However, WE CANNOT ASSUME ANY RESPONSIBILITY for possible error.



Slip Yoke Assemblies LD & MD Driveshaft Style



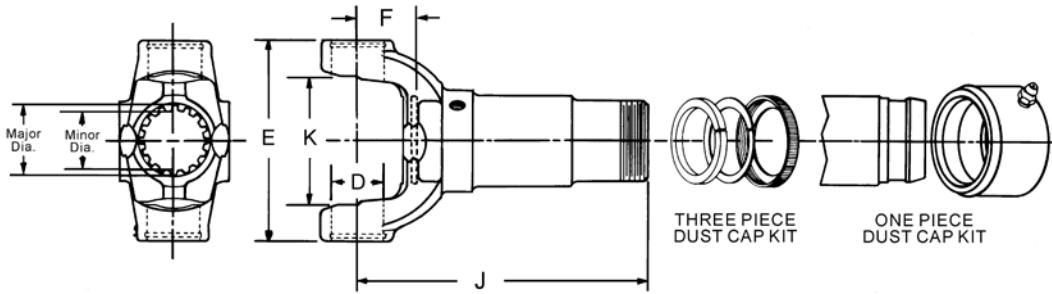
J C/L to End of Spline	F C/L to Face of Plug	Part of Slip Yoke Assembly			Boot Kit Assy Part Number Order Separately	Style	Slip Yoke Assembly Part Number
		Lube Fitting	Dust Cap & Washer Kit	Slip Yoke Plug Number			
SPL55 SERIES		E-4.440	D-1.374	USE KIT 5-803X, 5-804X, SPL55-1X, SPL55-2X			
1.587 (40.3mm)-23 Based On 24 Spline							
7.949	1.732	-	-	500166-26	212094X	SR	55-3-61X
9.122	1.732	-	-	500166-26	212094X	SR	55-3-81X
SPL70 SERIES		E-5.250	D-1.375	USE KIT 5-808X, 5-809X, SPL70-1X, SPL70X			
1.776 (45.1mm)-26 Based On 27 Spline							
8.480	1.890	-	-	70-68-18X	212146X	SR	70-3-21X
9.279	1.890	-	-	70-68-18X	212146X	SR	70-3-41X
SPL90 SERIES		E-5.375	D-1.625	USE KIT SPL90X			
1.939-30 Involute Spline							
10.100	1.797	500174-1	90-86-18	5-68-108X	-	SR	90-3-21X
8.250	1.750	500174-1	90-86-18	5-68-164	-	SR	90-3-41X
<i>Mates with 90-40-21 and 90-53-21</i>							
SPL100 SERIES		E-5.380 IN, (HR STYLE 4.958 IN.) D-1.625		USE KIT SPL100-1X			
1.965 (49.9mm)-29 Based On 30 Spline							
9.681	1.783	-	-	5-68-164	212146X	SR	100-3-41X
1000 SERIES		K-1.500	D-.938	USE KIT 5-170X			
1.000-6 Spline							
5.500	1.500	500174-1	-	-	-	SR	10-3-131X
1.125-10 Spline							
5.500	—	500174-1	-	-	-	SR	10-3-81X
1.156-26 Involute Spline							
5.500	1.531	500174-1	D2L	2-68-23	-	SR	10-3-291KX
1.250-16 Spline							
4.438	1.400	500174-1	D2A	-	-	SR	10-3-121KX
5.500	1.562	500174-1	D2A	2-68-23	-	SR	10-3-18KX
1.250-6 Spline							
5.500	1.400	500174-1	-	-	-	SR	10-3-51X
1100 SERIES		E-2.656	D-.938	USE KIT 5-101X, 5-111X			
1.062-16 Spline							
2.875	.938	500174-1	D1A	1-68-14	-	SR	1-3-88KX
4.312	.938	500174-1	D1A	1-68-14	-	SR	1-3-18KX
1210 SERIES		E-2.688	D-1.062	USE KIT 5-443X			
1.219-26 Based On 28 Spline							
5.062	1.250	-	-	500166-20	-	SR	2-3-8811X
<i>Use boot #40465, clamps #40540-1,-2; I.S. snap ring style</i>							
5.109	1.547	-	-	500166-20	211513X	SR	2-3-9991X

• Part is discontinued ■ Part is available until supply is exhausted ▲ Not sold separately



Important: See Safety Information in General Information Section (J300P-GI)

Slip Yoke Assemblies LD & MD Driveshaft Style



J	F	Part of Slip Yoke Assembly			Boot Kit Assy Part Number Order Separately	Style	Slip Yoke Assembly Part Number
		C/L to End of Spline	C/L to Face of Plug	Lube Fitting			
1210 SERIES (Continued)		E-2.688	D-1.062	USE KIT 5-443X			
1.250-14 Based On 16 Spline							
6.344	1.547	-	211256X	500166-20	211513X	SR	2-3-10521X
6.375	1.250	-	-	500166-20	211344X	SR	2-3-8861X
1310 SERIES		E-3.469	D-1.062	USE KIT 5-153X, 5-785X, 5-810X			
1.250-14 Based On 16 Spline							
6.562	1.438	-	-	500166-20	211344X	SR	2-3-10661X
1.250-16 Spline							
3.562	1.000	500174-1	D2B	2-68-23	-	SR	2-3-3951KX
4.125	1.000	500174-1	D2B	2-68-23	-	SR	2-3-258KX
4.688	1.000	500174-1	D2A	2-68-23	-	SR	2-3-198KX
5.000	1.000	500174-1	D2A	2-68-23	-	SR	2-3-1421KX
6.125	1.000	500174-1	D2F	2-68-23	-	SR	2-3-1461KX
6.562	1.438	500174-1	D2K	2-68-23	-	SR	2-3-4441KX
6.562	1.438	500174-1	211256X	2-68-23	-	SR	2-3-8841KX
1.375-15 Based On 16 Spline							
6.000	1.062	-	-	500166-22	211916X	SR	2-3-10411X
6.688	1.062	500174-1	211121X	2-68-143	-	SR	2-3-7661KX
6.690	1.062	-	-	2-68-28X	-	SR	2-3-10021X• <i>Relief valve in plug</i>
6.724	1.417	-	-	500166-22	211916X	SR	2-3-12881X
6.812	1.250	-	-	500166-22	211932X	SR	2-3-11351X•
7.875	1.500	-	-	500166-22	211916X	SR	2-3-12421X
1.375-16 Spline							
3.750	1.000	500174-1	D2C	3-68-23	-	SR	2-3-178KX
4.188	1.000	500174-1	D2C	3-68-23	-	SR	2-3-348KX
5.375	1.000	500174-1	211121X	3-68-23	-	SR	2-3-12301KX
5.375	1.000	500174-1	D2C	3-68-23	-	SR	2-3-128KX
6.000	1.062	500174-1	D2C	2-68-143	-	SR	2-3-4951KX
<i>Use dust cap kit D3E for reverse slip applications</i>							
6.000	1.062	500174-1	211121X	2-68-143	-	SR	2-3-7981KX
6.344	1.062	500174-1	D2C	2-68-143	-	SR	2-3-4071KX
6.472	-	-	-	-	-	CV	2-3-7461X
<i>500174-1 lube fitting & D2M dust cap, order separate</i>							
6.750	.875	500174-1	D2M	3-68-23	-	SR	2-3-1931KX
6.812	1.500	500174-1	211121X	2-68-143	-	SR	2-3-8001KX
6.875	1.500	500174-1	-	3-68-23	-	SR	2-3-5221X
<i>Use dust cap kit D3E for reverse slip applications</i>							
7.875	1.500	500174-1	-	3-68-23	-	SR	2-3-5821X
<i>Use dust cap kit D3E for reverse slip applications</i>							
7.875	1.500	500174-1	211121X	2-68-143	-	SR	2-3-8021KX

• Part is discontinued ■ Part is available until supply is exhausted ▲ Not sold separately



Slip Yoke Assemblies LD & MD Driveshaft Style



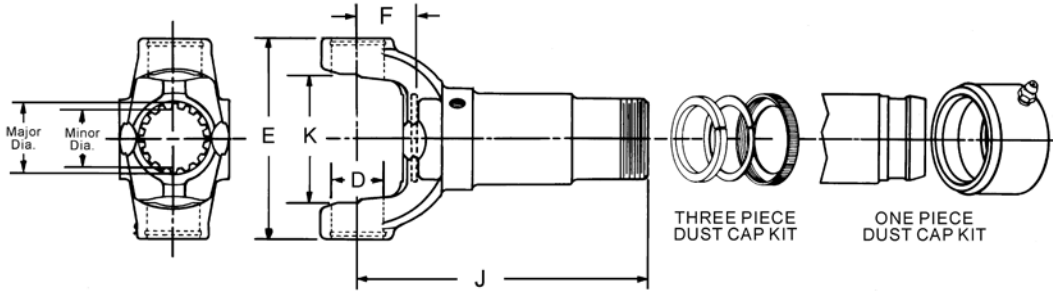
J C/L to End of Spline	F C/L to Face of Plug	Part of Slip Yoke Assembly			Boot Kit Assy Part Number Order Separately	Style	Slip Yoke Assembly Part Number
		Lube Fitting	Dust Cap & Washer Kit	Slip Yoke Plug Number			
1310 SERIES (Continued) E-3.469 D-1.062					USE KIT 5-153X, 5-785X, 5-810X		
1.377-31 Based On 32 Spline							
6.750	.875	500174-1	211121X	2-68-143	-	SR	2-3-10261KX
6.750	.875			500166-22	211600X	SR	2-3-10801X
1.378-31 Based On 32 Spline							
6.620	1.531	500174-1	D2N	2-68-134	-	SR	2-3-7171KX
6.812	1.500	500174-1	211411X	2-68-143	-	SR	2-3-10641KX
6.812	1.500			2-68-63	211600X	SR	2-3-9371X•
1.390-30 Based On 31 Spline							
5.062	1.438	500174-1	211121X	3-68-23	-	SR	2-3-8311X
							<i>Spec 4X4 axle yoke w/hole in plug</i>
5.062	1.438	231330	2-86-298	500166-22		SR	2-3-8481X
							<i>Spec 4X4 axle yoke w/lube fitting in yoke</i>
5.062	1.438	-	-	500166-22		SR	2-3-8741X
							<i>Use boot #40465, clamps #40540-1,-2; I.S. snap ring style</i>
1.500-16 Spline							
2.906	.656	500174-1	D3F	2-68-64	-	SR	2-3-7691KX
6.875	1.531	500174-1	D3A	3-68-33	-	SR	2-3-6061KX
1330 SERIES SR: E-3.875 OTHERS E-3.625, D-1.062					USE KIT 5-213X,5-790X,5-812X		
1.284-29 Based On 30 Spline							
6.600	1.100	-	-	500166-22	-	SR	2-3-13221X
							<i>Used on driveshaft w/outboard slip</i>
1.338-18 Based On 20 Spline							
6.724	1.102	-	-	500166-22	211932X	SR	2-3-15651X
1.338-19 Based On 20 Spline							
6.700	1.000	-	-	500166-22	212094X	SR	2-3-13831X
1.375-14 Based On 16 Spline							
6.720	1.102	-	-	500166-22	211932X	SR	2-3-14331X
7.039	1.417	-	-	500166-22	211932X	SR	5006028
1.375-15 Based On 16 Spline							
5.410	1.060	-	-	500166-22	211916X	SR	2-3-13571X•
6.000	1.000	-	-	500166-23	211916X	SR	2-3-8921X
6.620	1.000	-	-	500166-22	211932X	SR	2-3-11991X•
							<i>211121X dust cap & washer kit, order separately</i>
6.625	1.000	-	211121X	2-68-28X	-	SR	2-3-11491KX•
6.625	1.000	500174-1	211121X	3-68-23	-	SR	2-3-7681KX
7.500	1.000	500174-1	211121X	3-68-23	211463X	SR	2-3-8941KX
1.375-16 Spline							
6.000	1.000	500174-1	D3E	3-68-23	-	SR	2-3-4681KX
6.000	1.000	500174-1	211121X	2-68-143	-	SR	2-3-7961KX
7.500	1.000	500174-1	211121X	2-68-28X	-	SR	2-3-12031KX
7.500	1.000	-	-	3-68-23	-	SR	2-3-7481X
							<i>D2M dust cap & washer kit, order separately</i>
7.500	1.000	500174-1	211121X	3-68-23	-	SR	2-3-8041KX
1.378-31 Based On 32 Spline							
6.000	1.000	500174-1	211121X	2-68-143	-	SR	2-3-10571KX
1.500-15 Based On 16 Spline							
7.312	1.188	-	-	3-68-33	-	SR	2-3-10871X
							<i>Used on driveshaft w/outboard slip</i>
7.500	1.000	500174-1	211158X	3-68-33	-	SR	2-3-8111KX

• Part is discontinued ■ Part is available until supply is exhausted ▲ Not sold separately



Important: See Safety Information in General Information Section (J300P-GI)

Slip Yoke Assemblies LD & MD Driveshaft Style



J	F	Part of Slip Yoke Assembly			Boot Kit Assy Part Number Order Separately	Style	Slip Yoke Assembly Part Number
		C/L to End of Spline	C/L to Face of Plug	Lube Fitting			

1330 SERIES (Con't) SR: E-3.875 OTHERS E-3.625, D-1.062 USE KIT 5-213X,5-790X,5-812X

1.500-16 Spline

8.182	-	-	-	-	-	CV	211391X
-------	---	---	---	---	---	----	---------

Slip Yoke is a ball stud & sleeve assembly; 500174-1 lube fitting & D3A dust cap, order separate

1350 SERIES E-3.875 D-1.188 USE KIT 5-178X OR 5-799X

1.375-15 Based On 16 Spline

6.810	1.190	500174-1	211121X	3-68-33	-	SR	3-3-2701KX
-------	-------	----------	---------	---------	---	----	------------

1.375-16 Spline

5.250	1.188	500174-1	D3E	3-68-33	-	SR	3-3-758KX
5.688	1.188	500174-1	D2C	3-68-33	-	SR	3-3-1421KX
5.812	1.188	500174-1	D3G	3-68-33	-	SR	3-3-1501KX
6.625	1.188	500174-1	D3G	3-68-33	-	SR	3-3-2591KX

1.377-31 Based On 32 Spline

6.625	1.188	500174-1	D3F	3-68-33	-	SR	3-3-2471KX
-------	-------	----------	-----	---------	---	----	------------

1.390-30 Based On 31 Spline

4.810	1.190	-	-	500166-22	-	SR	3-3-3001X
-------	-------	---	---	-----------	---	----	-----------

Use boot # 40929 & clamps 40540-4 & 40540-3; order separately

1.463-21 Based On 22 Spline

7.310	1.160	-	-	500166-24	212094X	SR	3-3-6381X
7.312	1.190	-	-	500166-24	211503X	SR	3-3-6201X
7.312	1.190	-	-	500166-24	211503X	SR	3-3-6981X

1.500-14 Based On 16 Spline

7.312	1.188	-	-	500166-24	212010X	SR	3-3-4781X
7.312	1.188	-	-	500166-24	211916X	SR	3-3-5461X

1.500-15 Based On 16 Spline

6.938	1.188	-	-	500166-24	211503X	SR	3-3-4651X
7.310	1.188	500174-1	211158X	3-68-33	-	SR	3-3-5921KX
7.312	1.188	500174-1	211158X	3-68-33	211503X	SR	3-3-2801KX

1.500-16 Spline

3.344	1.062	500174-1	D3A	3-68-104	-	SR	3-3-2931KX*
3.688	1.188	500174-1	D3A	3-68-33	-	SR	3-3-398KX
3.938	1.188	500174-1	D3A	3-68-33	-	SR	3-3-388KX
4.938	1.188	500174-1	D3K	3-68-33	-	SR	3-3-5181KX
5.812	1.312	500174-1	D3A	3-68-33	-	SR	3-3-598KX
6.719	1.188	500174-1	D3A	3-68-33	-	SR	3-3-1561KX
7.312	1.188	500174-1	D3A	3-68-33	-	SR	3-3-488KX
7.930	1.156	-	-	3-68-33	211503X	SR	3-3-3601X
8.000	1.188	500174-1	D3A	3-68-33	-	SR	3-3-2681KX

One tooth removed for lube passage

• Part is discontinued ■ Part is available until supply is exhausted ▲ Not sold separately



Slip Yoke Assemblies LD & MD Driveshaft Style

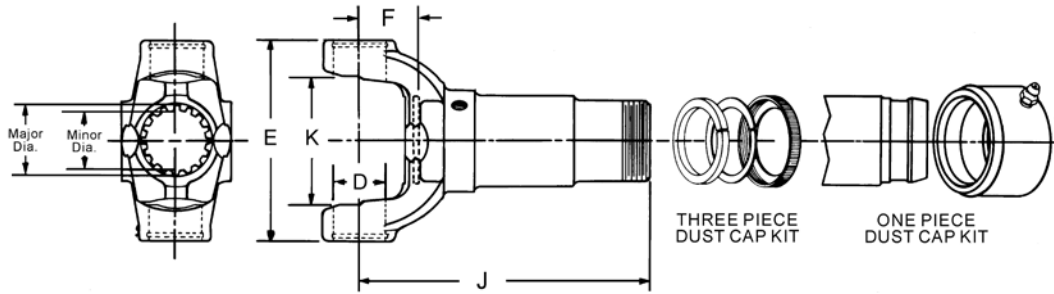
J C/L to End of Spline	F C/L to Face of Plug	Part of Slip Yoke Assembly			Boot Kit Assy Part Number Order Separately	Style	Slip Yoke Assembly Part Number
		Lube Fitting	Dust Cap & Washer Kit	Slip Yoke Plug Number			
1410 SERIES		E-4.438	D-1.188	USE KIT 5-160X OR 5-801X			
1.375-16 Spline							
5.240	1.160	500174-1	D3G	-	-	SR	3-3-4421X
					<i>500174-1 lube fitting, order separate</i>		
5.250	1.156	500174-1	D3E	3-68-33	-	SR	3-3-788KX
5.812	1.156	500174-1	D3G	3-68-33	-	SR	3-3-1481KX
1.463-21 Based On 22 Spline							
7.280	1.160	-	-	500166-24	212094X	SR	3-3-6611X
					<i>Used on driveshaft w/outboard slip</i>		
7.280	1.160	-	-	500166-24	211503X	SR	3-3-6791X
					<i>w/5.300" OD dampener</i>		
7.310	1.160	-	-	500166-24	212094X	SR	3-3-6341X
7.311	1.161	-	-	500166-24	212094X	SR	3-3-6701X
1.500-14 Based On 16 Spline							
7.281	1.156	-	-	500166-24	212010X	SR	3-3-4871X
7.281	1.156	-	-	500166-24	211503X	SR	3-3-5491X
1.500-15 Based On 16 Spline							
7.281	1.156	500174-1	211158X	3-68-33	-	SR	3-3-5411KX
7.812	1.344	500167-2	D3A	3-68-18X	-	SR	3-3-748KX
					<i>Part has wide tooth and relief valve in Welch plug</i>		
8.562	1.344	500174-1	D3F	3-68-63	-	SR	3-3-768KX
					<i>Part has wide tooth, mates w/3-40-531</i>		
1.500-16 Spline							
3.906	1.156	500174-1	D3A	3-68-33	-	SR	3-3-468KX
4.410	1.160	-	211158X	3-68-33	-	SR	3-3-3461X
5.250	1.156	500174-1	D3K	3-68-33	-	SR	3-3-2041KX
6.500	1.156	500174-1	D3A	3-68-33	-	SR	3-3-118KX
6.688	1.344	500174-1	D3B	3-68-33	-	SR	3-3-798KX
7.812	1.344	500174-1	-	3-68-33	-	SR	3-3-4551X•
7.812	1.344	500174-1	D3A	3-68-33	-	SR	3-3-508KX
7.812	1.344	500174-1	211158X	3-68-33	-	SR	3-3-5481KX
8.562	1.344	500174-1	D3J	3-68-113	-	SR	3-3-1831KX
1.528-23 Involute Spline							
6.810	1.312	500174-1	-	3-68-163	-	SR	3-3-6641X•
					<i>500174-1 lube fitting, order separate</i>		
1.562-16 Spline							
6.812	1.312	500174-1	D3H	3-68-163	-	SR	3-3-1701KX
1.587 (40.3mm)-23 Based On 24 Spline							
6.720	1.220	-	-	500166-26	212007X	SR	3-3-7001X
1.605-15 Involute Spline							
5.750	1.344	500174-1	D4G	3-68-163	-	SR	3-3-3871KX
1.654-20 Involute Spline							
4.812	1.312	-	-	3-68-183	-	SR	3-3-3791X
					<i>Hub dia. not ground</i>		
1.750-16 Spline							
3.250	1.188	500174-1	D4F	3-68-54	-	SR	3-3-1511KX

• Part is discontinued ■ Part is available until supply is exhausted ▲ Not sold separately



Important: See Safety Information in General Information Section (J300P-GI)

Slip Yoke Assemblies LD & MD Driveshaft Style

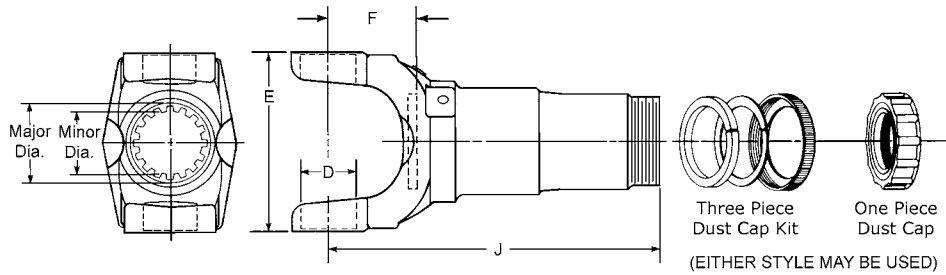


J C/L to End of Spline	F C/L to Face of Plug	Part of Slip Yoke Assembly			Boot Kit Assy Part Number Order Separately	Style	Slip Yoke Assembly Part Number
		Lube Fitting	Dust Cap & Washer Kit	Slip Yoke Plug Number			
1480 SERIES		E-4.438	D-1.375	USE KIT 5-188X, 5-803X OR 5-804X			
1.562-16 Spline							
6.000	1.312	-	-	3-68-163	-	SR	3-3-5141X• <i>D3N dust cap & washer kit, order separate</i>
6.812	1.312	500174-1	D3J	3-68-163	-	SR	3-3-1601KX
9.500	2.000	500174-1	D3H	3-68-163	-	SR	3-3-1641KX
1.564-23 Based On 24 Spline							
6.810	1.312	-	-	500166-26	212007X	SR	3-3-6061X
1.587 (40.3mm)-23 Based On 24 Spline							
6.810	1.312	-	-	500166-26	212007X	SR	3-3-7021X•
1.784-27 Involute Spline							
3.719	1.109	-	-	3-68-203	-	SR	3-3-3121X <i>Hub dia. not ground</i>
2.250-10 Spline							
3.719	1.188	500174-1	D3D	3-68-93	-	SR	3-3-1621KX
1550 SERIES		E-5.250	D-1.375	USE KIT 5-155X, 5-808X OR 5-809X			
1.750-16 Spline							
5.375	1.375	500168-2	D4M	4-68-143	-	SR	4-3-1751KX
6.875	1.375	500168-2	D4K	4-68-143	-	SR	4-3-1241KX
7.562	2.062	500168-2	D4M	4-68-143	-	SR	4-3-2121KX
8.125	1.375	500168-2	D4J	4-68-143	-	SR	4-3-1411KX
9.063	2.062	500168-2	D4M	4-68-143	-	SR	4-3-2141KX
10.062	2.062	500168-2	D4J	4-68-143	-	SR	4-3-1431KX
2.000-16 Spline							
4.875	1.469	500168-2	5-86-68	4-68-43	-	SR	4-3-1921KX
8.812	2.730	500167-2	5-86-68	5-68-78X	-	SR	4-3-2041KX <i>Relief valve in plug</i>
2.500-16 Spline							
3.500	1.125	500168-2	D4L	4-68-74	-	SR	4-3-1261KX

• Part is discontinued ■ Part is available until supply is exhausted ▲ Not sold separately



Slip Yoke Assemblies HD Driveshaft Style



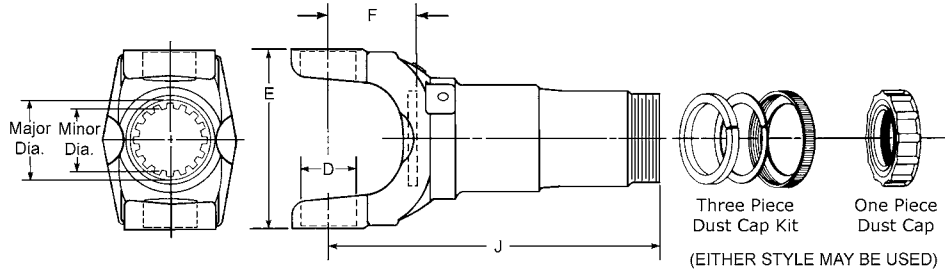
J C/L to End of Spline	F C/L to Face of Plug	Part of Slip Yoke Assembly			Style	Slip Yoke Assembly Part Number
		Lube Fitting	Dust Cap & Washer Kit	Slip Yoke Plug Number		
1610 SERIES		E-5.312	D-1.875	USE KIT 5-279X OR 5-674X		
2.000-16 Spline						
5.406	2.688	-	5-86-68	5-68-154	BP	5-3-2911X [▲] <i>500168-2 lube fitting & 5-86-68 dust cap kit, order separate</i>
6.750	2.688	500168-2	5-86-68	5-68-174	BP	5-3-398KX [•]
7.812	1.440	500168-2	5-86-68	5-68-174	BP	5-3-108KX
8.875	1.440	500168-2	5-86-68	5-68-174	BP	5-3-368KX
9.312	3.188	500168-2	5-86-68	5-68-174	BP	5-3-288KX
9.812	2.688	500168-2	5-86-68	5-68-174	BP	5-3-128KX
10.312	1.938	500168-2	5-86-68	5-68-174	BP	5-3-1411KX
10.312	2.440	500168-2	5-86-68	5-68-164	BP	5-3-1711KX
10.812	3.188	500168-2	5-86-68	5-68-164	BP	5-3-2261KX
11.938	3.688	500168-2	5-86-68	5-68-164	BP	5-3-3121KX <i>High angle slip yoke</i>
2.500-16 Spline						
9.500	2.000	500168-2	6.3-86-18	6-68-64	BP	5-3-3101KXM <i>M8 x 1.00-6H Metric tapped holes in yoke ears</i>
2.676-18 Involute Spline						
3.500	1.250	500168-2	-	5-68-33	BP	5-3-3231X <i>Not threaded for dust cap</i>
3.500	1.250	500168-2	D5C	5-68-33	BP	5-3-168KX
4.250	1.250	500168-2	D5C	5-68-33	BP	5-3-198KX
1710 SERIES		E-6.094 (6.190-HR STYLE) D-1.938		USE KIT 5-280X OR 5-675X		
2.500-15 Based On 16 Spline						
7.469	1.720	-	-	6-68-48X	BP	6-3-3211X [▲] <i>500168-2 lube ftg. & 6.3-86-18 dust cap kit, order separate; Relief valve in plug</i>
11.688	2.438	500168-2	6.3-86-18	6-68-38X	BP	6-3-3171KX <i>Relief valve in plug</i>
12.719	3.219	500168-2	6.3-86-18	6-68-38X	BP	6-3-3541KX <i>Relief valve in plug</i>
2.500-16 Spline						
6.719	1.719	500168-2	6.3-86-18	6-68-74	BP	6-3-2761KX
7.469	1.719	500168-2	6.3-86-18	6-68-74	BP	6-3-2741KX
7.696	1.719	500168-2	6.3-86-18	6-68-74	BP	6-3-2801KX
8.469	1.719	-	-	6-68-74	BP	6-3-2721X <i>500168-2 lube ftg. & 6.3-86-18 dust cap kit, order separate</i>
8.844	1.719	500168-2	6.3-86-18	6-68-74	BP	6-3-2631KX
9.344	2.516	500174-1	6.3-86-18	6-68-74	BP	6-3-3521KX
9.594	1.719	500168-2	6.3-86-18	6-68-74	BP	6-3-2671KX
10.310	2.440	500168-2	6.3-86-18	6-68-38X	BP	6-3-3151KX <i>Relief valve in plug</i>
10.312	2.440	-	6.3-86-18	6-68-38X	BP	6-3-3611KXM [•] <i>500168-2 lube fitting, order separately; Relief valve in plug; m10x1.25-6H tapped holes in yoke ears</i>

• Part is discontinued ■ Part is available until supply is exhausted ▲ Not sold separately



Important: See Safety Information in General Information Section (J300P-GI)

Slip Yoke Assemblies HD Driveshaft Style

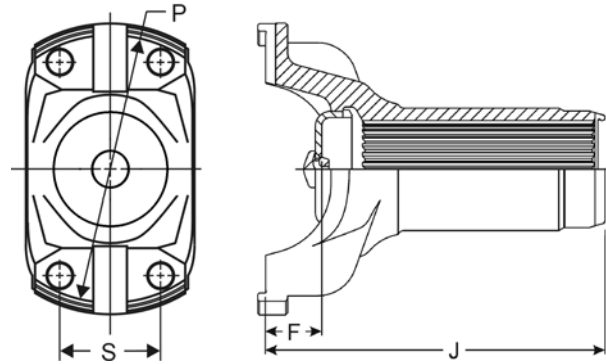


J C/L to End of Spline	F C/L to Face of Plug	Part of Slip Yoke Assembly			Style	Slip Yoke Assembly Part Number
		Lube Fitting	Dust Cap & Washer Kit	Slip Yoke Plug Number		
1710 SERIES (Con't)		E-6.094 (6.190-HR STYLE) D-1.938			USE KIT 5-280X OR 5-675X	
10.719	3.219	500168-2	6.3-86-18	6-68-64	BP	6-3-3481KX <i>High angle slip yoke</i>
11.688	2.438	500168-2	6.3-86-18	6-68-64	BP	6-3-2651KX
11.719	3.219	500168-2	6.3-86-18	6-68-64	BP	6-3-3461KX <i>High angle slip yoke</i>
11.969	3.219	500168-2	6.3-86-18	6-68-64	BP	6-3-2591KX <i>6-3-2591KX was replaced by 6-3-3501KX</i>
11.969	3.219	500168-2	6.3-86-18	6-68-64	BP	6-3-3501KX <i>High angle slip yoke</i>
12.719	3.219	500168-2	6.3-86-18	6-68-64	BP	6-3-3441KX <i>High angle slip yoke</i>
2.500-9 Based On 10 Spline						
11.000	3.250	500168-2	D6B	6-68-63	BP	6-3-1601KX•
3.250-18 Involute Spline						
4.125	1.375	500168-2	D6E	6-68-53	BP	6-3-1661KX
4.875	1.375	500168-2	D6E	6-68-53	BP	6-3-1481KX
1760 SERIES		E-7.000 (7.094 FOR HR STYLE) D-1.938			USE KIT 5-407X, 5-677X	
2.500-16 Spline						
9.250	2.922	500168-2	6.3-86-18	6-68-74	BP	6.3-3-41KX <i>Metal, slip yoke plug no. is 6.3-68-14</i>
11.156	2.469	500168-2	6.3-86-18	6-68-64	BP	6.3-3-21KX
1810 SERIES		E-7.547 (7.643 FOR HR STYLE) D-1.938			USE KIT 5-281X, 5-676X	
3.000-16 Spline						
10.250	2.375	500168-2	6.5-86-38	6.5-68-64	BP	6.5-3-1351KX
11.875	2.375	500168-2	6.5-86-38	6.5-68-64	BP	6.5-3-1371KX
8.062	2.969	500168-2	6.5-86-38	6.5-68-74	BP	6.5-3-1571KX•
8.938	1.562	500168-2	6.5-86-38	6.5-68-74	BP	6.5-3-1431KX
3.250-18 Involute Spline						
5.375	1.500	500168-2	D6E	6-68-53	BP	6.5-3-1451KX
1880 SERIES		E-8.094 D-2.188			USE KIT 5-308X	
3.000-16 Spline						
10.031	2.031	500168-2	6.5-86-38	8-68-13	BP	8-3-391KX
11.656	2.469	500168-2	6.5-86-38	8-68-13	BP	8-3-411KX
4.156-24 Involute Spline						
5.031	1.750	500168-2	D9A	8-68-24	BP	8-3-431KX
7260 SERIES		K-2.126 D-1.078			USE KIT 5-1306X, 5-789X	
1.375-16 Spline						
6.812	1.500	500174-1	D2M	2-68-143	-	SR 2-3-10621KX

• Part is discontinued ■ Part is available until supply is exhausted ▲ Not sold separately



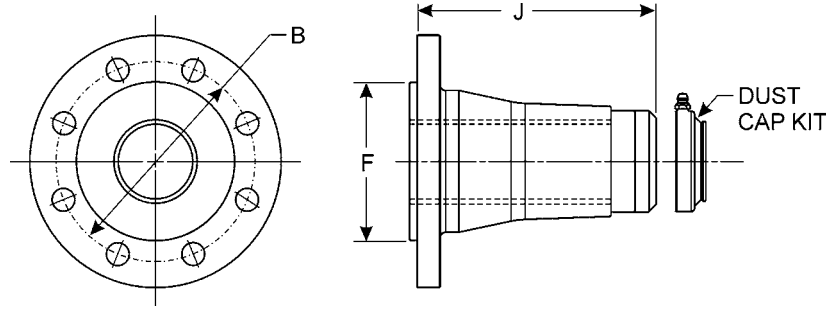
Wing Bearing Style



J C/L to End of Spline	F C/L to Face of Plug	Part of Slip Yoke Assembly			Boot Kit Assy Part Number Order Separately	Style	Slip Yoke Assembly Part Number
		Lube Fitting	Dust Cap & Washer Kit	Slip Yoke Plug Number			
5C SERIES							
WB STYLE P-4.531 S-1.685 KEYWAY-.563 USE KIT 5C-1X							
1.564-23 Based On 24 Spline							
6.890	1.437	-	4-86-48	4-68-193	-	WB 5C-3-21X <i>Rubber valve in plug</i>	
6C SERIES							
WB STYLE P-5.531 S-1.689 KEYWAY-.563 USE KIT 6C-1X							
1.939-30 Involute Spline							
6.574	1.122	-	4-86-58	5-68-224	-	WB 6C-3-21X <i>Rubber valve in plug</i>	



Slip Yoke Assemblies Slip Flange Yoke Style



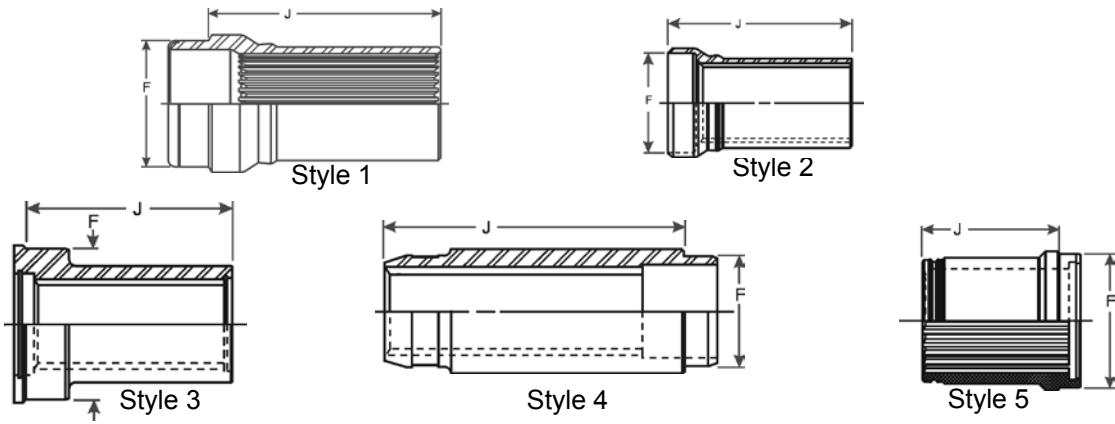
J	F	Bolt Hole			Dust Cap & Washer Kit Part Number	Slip Yoke Assembly Part Number
Flange Face to End of Spline	Pilot Diameter F-Female/M-Male	B - Bolt Circle Diameter	Diameter D-Drilled/T-Tapped	# of Holes		
1610 SERIES		E-5.312	D-1.875		USE KIT 5-279X OR 5-674X	

1.939-30 Involute Spline						
5.250	3.749 M	4.750	.509 D	8	90-86-18	5-3-3211KX [▲]
<i>Use lube fitting 500174-1; order separately</i>						

• Part is discontinued ■ Part is available until supply is exhausted ▲ Not sold separately



Splined Sleeves

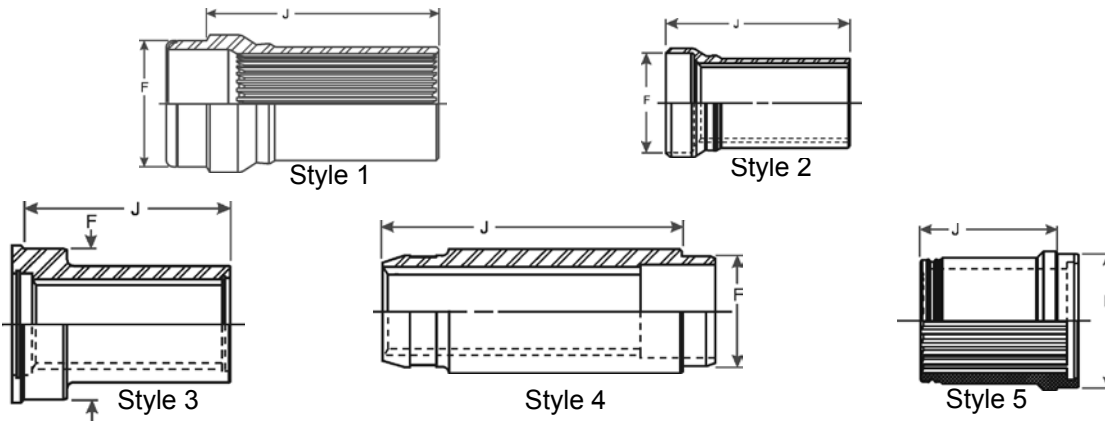


J	Style	Fits Tube/ Tube Yoke Part Number	Mates w/ Part Number	F	Splined Sleeve Detail	Slinger Part Number	Slip Sleeve Assembly Part Number
End of Spline to Weld				Butt Diameter			
SPL140 SERIES							
3.071 (78.0mm)-30 Involute Spline							
6.713	1	100-30-3	140-82-21X	3.937	140-55-11	232755	140-55-21X
SPL170 SERIES							
3.465 (88.0mm)-32 Based On 34 Spline							
5.137	2	170-28-37	170-82-191X	4.344	170-55-151		170-55-151 <i>Sleeve Only-No Assembly</i>
7.205	2	170-28-37	170-82-131X	4.346	170-55-81		170-55-81 <i>Sleeve Only-No Assembly</i>
7.972	1	110-30-5	170-82-61X	4.350	170-55-11-2	232700	170-55-21-2X
7.984	2	170-28-37	170-82-71X	4.346	170-55-51-1		170-55-51-1
8.771	2	170-28-37	170-82-71X	4.346	170-55-51-2		170-55-51-2
9.153	1	110-30-5	170-82-61X	4.350	170-55-11-1	232700	170-55-21-1X•
9.559	2	170-28-37	170-82-71X	4.346	170-55-51-3		170-55-51-3
10.346	2	170-28-37	170-82-71X	4.346	170-55-51-4		170-55-51-4
SPL250 SERIES							
3.858 (98.0mm)-38 Involute Spline							
6.909	1	120-30-*		4.744	250-55-21	232696	250-55-31X <i>*Fits all 120-30 tubes</i>
1310 SERIES							
1.375-16 Spline							
5.030	4	2-28-3707X	211256X	—	2-55-51		2-55-51▪ <i>Sleeve Only-No Assembly</i>
3.002-22 Based On 23 Spline							
.049	5	5001726	2-82-1971X	3.815	5002371	6.5-68-64	5002372 <i>Material: Aluminum</i>
3.002-22 Based On 23 Spline							
3.580	5	32-38-12	2-82-1901X	3.854	2-55-141	6.5-68-64	2-55-258X <i>Material: Aluminum</i>
3.910	5	32-38-12	2-82-1971X	3.854	2-55-181	6.5-68-64	2-55-268X▪ <i>Material: Aluminum</i>
1410 SERIES							
1.750-16 Spline							
4.410	3	211140X	3-82-781	2.594	3-55-33	4-68-143	3-55-38X
1550 SERIES							
2.000-16 Spline							
4.560	3	210833X-*	4-82-211	3.320	4-55-43	4-68-43	4-55-48X

• Part is discontinued ■ Part is available until supply is exhausted ▲ Not sold separately



Important: See Safety Information in General Information Section (J300P-GI)

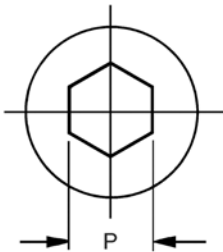
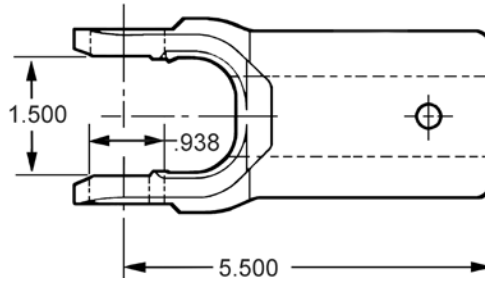


J End of Spline to Weld	Style	Fits Tube/ Tube Yoke Part Number	Mates w/ Part Number	F	Splined Sleeve Detail	Slinger Part Number	Slip Sleeve Assembly Part Number
				Butt Diameter			
1710 SERIES							
2.500-16 Spline							
5.720	3	211110X-*	6-82-1131-2	5.020	6-55-43	6.5-68-13	6-55-38X
1810 SERIES							
3.000-16 Spline							
7.750	3	211570X-*	6.5-82-451-1	5.757	8-55-103	6.5-68-23	8-55-113X•
7.750	3	211180X-*	6.5-82-451-1	5.020	8-55-33	6.5-68-23	8-55-43X

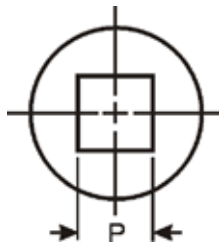
• Part is discontinued ■ Part is available until supply is exhausted ▲ Not sold separately



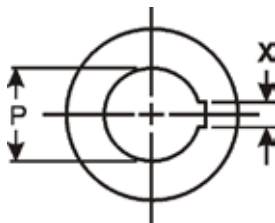
Slip Yoke Assemblies Hex, Square and Round Hole



P Hex Across Flats	Lube Fitting Part Number	Slip Yoke Assembly Number
1000 SERIES K-1.500 D-.938	USE KIT 5-170X	
.875	500174-1	10-3-162X
1.125	500174-1	10-3-32X



P Square Hole Across Flats	Lube Fitting Part Number	Slip Yoke Assembly Number
.875	500174-1	10-3-22X
1.000	500174-1	10-3-122X



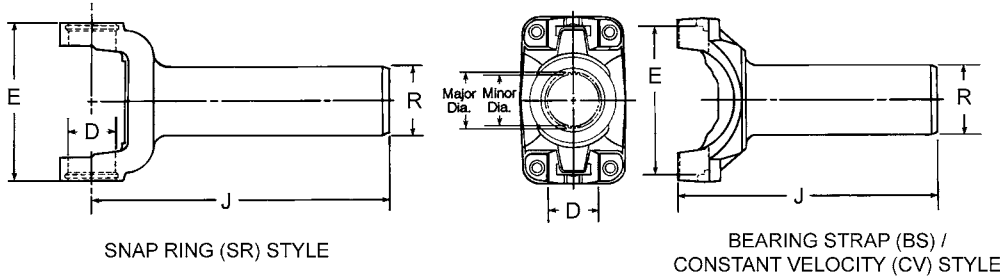
P Round Hole Diameter	X SAE Keyway Width	Lube Fitting Part Number	Slip Yoke Assembly Number
1000 SERIES K-1.500 D-.938	USE KIT 5-170X		
.750	.188	500174-1	10-3-13X
.812	.250	500174-1	10-3-23X
.875	.250	500174-1	10-3-33X
1.000	.250	500174-1	10-3-83X
1.125	.312	500174-1	10-3-183X
1.250	.312	500174-1	10-3-163X

• Part is discontinued ■ Part is available until supply is exhausted ▲ Not sold separately



Important: See Safety Information in General Information Section (J300P-GI)

Slip Yoke Assemblies For Transmission Applications



J C/L to End End of Spline	R Ground Hub Diameter	Counterbore		Style	Slip Yoke Plug Part Number	Slip Yoke Assembly Part Number
		Diameter	Depth			
SPL55 SERIES		E-4.440	D-1.374	USE KIT 5-803X, 5-804X, SPL55-1X, SPL55-2X		
1.615-30 Based On 31 Spline						
8.339	2.200	—	—	SR	500166-28	55-3-21X•
1.616-30 Based On 31 Spline						
8.339	2.200	—	—	SR	500166-28	5001672
1210 SERIES		E-2.688	D-1.062	USE KIT 5-443X		
1.113-24 Based On 25 Spline						
5.875	1.374	—	—	SR	500166-20	2-3-10071X
1310 SERIES		E-3.469	D-1.062	USE KIT 5-153X, 5-785X, 5-810X		
1.005-22 Based On 24 Spline						
6.045	1.376	1.043	.390	SR	500166-20	2-3-13461X
1.104-20 Based On 21 Spline						
6.000	1.496	—	—	SR	500166-20	2-3-9701X
1.113-24 Based On 25 Spline						
6.500	1.375	—	—	SR	500166-20	2-3-8431X
8.250	1.374	1.194	2.890	SR	2-68-153	2-3-8891X•
1.123-24 Based On 26 Spline						
6.040	1.494	1.142	.390	SR	500166-20	2-3-11731X
6.045	1.494	1.160	.390	SR	500166-20	2-3-13891X
1.125-10 Spline						
3.469	1.625	—	—	SR	2-68-44	2-3-7501X
3.469	1.641	—	—	SR	2-68-44	2-3-11551X•
1.158-25 Based On 26 Spline						
6.000	1.558	—	—	SR	500166-20	2-3-8731X
6.000	1.558	—	—	SR	500166-20	2-3-9781X
1.172-16 Spline						
4.875	1.500	—	—	SR	500166-20	2-3-1331X
1.176-26 Based On 27 Spline						
4.875	1.500	—	—	SR	500166-20	2-3-4911X
4.891	1.500	1.260	.500	SR	500166-20	2-3-9211X
<i>Corvette w/o vibration dampener; C-bore @ Hub End</i>						
4.891	1.502	—	—	SR	500166-20	2-3-10501X
5.469	1.500	—	—	SR	500166-20	2-3-6081X
5.469	1.500	—	—	SR	2-68-23	2-3-9191X
5.750	1.500	—	—	SR	500166-20	2-3-13051X
<i>Hub diameter not ground</i>						
5.750	1.502	—	—	SR	500166-20	2-3-14771X•
<i>Nickel Plated</i>						
5.750	1.502	—	—	SR	500166-20	2-3-12411X

• Part is discontinued ■ Part is available until supply is exhausted ▲ Not sold separately



Slip Yoke Assemblies For Transmission Applications

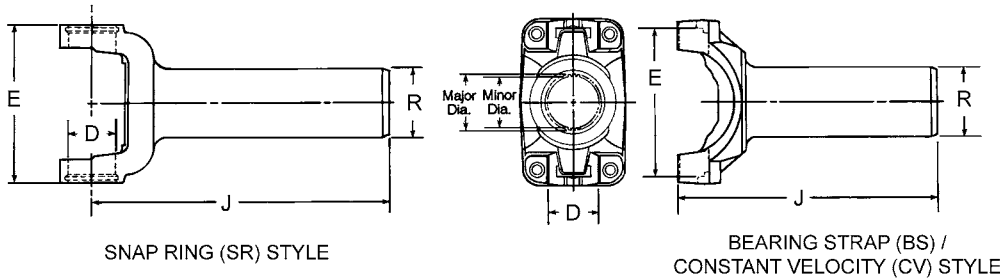
J C/L to End End of Spline	R Ground Hub Diameter	Counterbore		Style	Slip Yoke Plug Part Number	Slip Yoke Assembly Part Number
		Diameter	Depth			
1310 SERIES (Continued) E-3.469 D-1.062				USE KIT 5-153X, 5-785X, 5-810X		
1.176-26 Based On 27 Spline (Continued)						
5.750	1.602	—	—	SR	500166-20	2-3-15321X <i>W/4.500" OD dampener</i>
6.000	1.499	—	—	SR	500166-20	2-3-10391X
6.420	1.502	1.232	.590	SR	500166-20	2-3-11071X
6.620	1.502	—	—	SR	500166-20	2-3-15341X <i>Nickel Plated</i>
7.620	1.502	—	—	SR	500166-20	2-3-14871X▪ <i>Nickel plated yoke w/vibration dampener</i>
7.620	1.502	—	—	SR	500166-20	2-3-14861X <i>Nickel Plated</i>
1.201-23 Involute Spline						
5.750	1.578	—	—	SR	2-68-343	2-3-11721KX▲
1.220-27 Based On 28 Spline						
5.390	1.496	—	—	SR	2-68-83	2-3-10761X
6.500	1.491	—	—	SR	500166-20	2-3-12981X
6.500	1.500	—	—	SR	500166-20	2-3-8251X
7.000	1.497	—	—	SR	500166-20	2-3-12671X
1.220-28 Involute Spline						
6.000	1.500	—	—	SR	500166-20	2-3-4871X
1.250-15 Based On 16 Spline						
5.380	1.700	1.262	.380	SR	2-68-23	2-3-388X• <i>Part has one wide tooth</i>
1.284-28 Based On 30 Spline						
6.165	1.652	1.319	.450	SR	500166-22	2-3-13311X
6.266	1.652	1.320	.390	SR	500166-22	2-3-14001X
7.270	1.652	1.324	.450	SR	500166-22	2-3-12461X
7.420	1.652	1.319	.630	SR	500166-20	2-3-10131X
1.284-29 Based On 30 Spline						
6.750	1.680	—	—	SR	500166-22	2-3-13551X
6.750	1.680	—	—		500166-22	2-3-14791X• <i>Nickel Plated</i>
9.330	1.680	—	—	SR	500166-22	2-3-14981X <i>Nickel Plated</i>
1.375-10 Spline						
2.562	2.120	—	—	SR		2-3-9021 <i>Hub dia. not ground</i>
1.378-31 Based On 32 Spline						
4.880	1.885	—	—	SR	500166-22	2-3-13131X
1.390-30 Based On 31 Spline						
7.000	1.684	—	—	SR	500166-22	2-3-15631X•
1.397-31 Based On 32 Spline						
5.188	1.688	1.458	.880	SR	500166-22	2-3-5281X
5.500	1.885	—	—	SR	500166-22	2-3-10431X
1.403-21 Involute Spline						
4.130	2.000	—	—	SR	2-68-154	2-3-9811X
1.564-24 Involute Spline						
4.125	2.000	—	—	SR	2-68-154	2-3-9761X

• Part is discontinued ■ Part is available until supply is exhausted ▲ Not sold separately



Important: See Safety Information in General Information Section (J300P-GI)

Slip Yoke Assemblies For Transmission Applications



J C/L to End End of Spline	R Ground Hub Diameter	Counterbore		Style	Slip Yoke Plug Part Number	Slip Yoke Assembly Part Number
		Diameter	Depth			
1330 SERIES SR: E-3.875 OTHERS E-3.625, D-1.062				USE KIT 5-213X,5-790X,5-812X		
1.113-24 Based On 25 Spline						
6.860	1.374	—	—	SR	500166-20	2-3-13721X
6.860	1.374	—	—	SR	500166-20	2-3-15461X• <i>Nickel Plated</i>
1.158-25 Based On 26 Spline						
6.180	1.558	—	—	SR	500166-20	2-3-15051X•
7.000	1.558	—	—	SR	500166-20	2-3-14311X <i>Nickel Plated</i>
1.176-26 Based On 27 Spline						
5.470	1.502	—	—	SR	500166-20	2-3-12081X
5.470	1.502	1.218	.390	SR	500166-20	2-3-12371X▪
5.470	1.502	1.218	.390	SR	500166-20	2-3-12361X <i>W/c-bore and vibration dampener</i>
5.760	1.502	—	—	SR	500166-20	2-3-13671X▪
6.417	1.502	1.216	.590	SR	500166-20	2-3-15751X•
6.760	1.502	1.217	.410	SR	500166-20	2-3-11781X
6.760	1.502	1.217	.410	SR	2-68-23	2-3-12051X
7.290	1.558	—	—	SR	500166-20	2-3-14171X• <i>Nickel Plated</i>
7.290	1.558	—	—	SR	500166-20	2-3-14191X
1.177-26 Based On 27 Spline						
6.760	1.502	1.217	.300	SR	2-68-23	5001240 <i>Nickel plated yoke w/vibration dampener</i>
1.201-23 Involute Spline						
6.319	1.574	—	—	SR	2-68-343	5002274
7.106	1.574	—	—	SR	2-68-343	5002278
1.220-27 Based On 28 Spline						
5.906	1.500	—	—	SR	500166-20	2-3-5981X
6.630	1.597	—	—	SR	500166-20	2-3-14061X
7.860	1.497	—	—	SR	500166-20	2-3-13691X
1.284-29 Based On 30 Spline						
8.030	1.680	1.440	1.440	SR	500166-20	2-3-14031X <i>Nickel Plated</i>
8.030	1.680	1.440	1.440	SR	500166-22	2-3-14261X
9.000	1.680	—	—	SR	500166-22	2-3-12621X <i>W/vibration dampener</i>
9.000	1.680	—	—	SR	500166-22	2-3-14211X•
9.000	1.680	—	—	SR	500166-20	2-3-14221X• <i>W/vibration dampener</i>
1.326-29 Based On 30 Spline						
7.779	1.885	—	—	SR	500166-22	5002231

• Part is discontinued ■ Part is available until supply is exhausted ▲ Not sold separately



Slip Yoke Assemblies For Transmission Applications



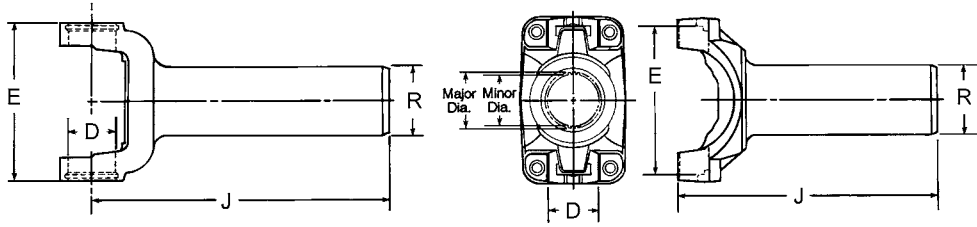
J C/L to End End of Spline	R Ground Hub Diameter	Counterbore		Style	Slip Yoke Plug Part Number	Slip Yoke Assembly Part Number
		Diameter	Depth			
1330 SERIES (Continued) SR: E-3.875 OTHERS E-3.625, D-1.062 USE KIT 5-213X,5-790X,5-812X						
1.377 (35.0mm)-30 Based On 32 Spline						
6.102	1.731	1.375	.393	SR	500166-22	2-3-16011X• <i>Includes boot can</i>
1.378-31 Based On 32 Spline						
6.760	1.885	—	—	SR	500166-22	2-3-10831X
6.760	1.885	—	—	SR	500166-24	2-3-13811X•
6.760	1.885	—	—	SR	2-68-143	2-3-12191X
7.250	1.885	—	—	SR	500166-22	2-3-14241X <i>Nickel Plated</i>
7.720	1.885	—	—	SR	500166-24	2-3-14831X <i>Nickel Plated</i>
7.940	1.885	1.410	.220	SR	500166-24	2-3-10791X
8.640	1.855	—	—	SR	500166-22	2-3-14281X• <i>Nickel Plated</i>
1.390-30 Based On 31 Spline						
6.000	1.688	—	—	SR	500166-22	2-3-6041X
7.000	1.885	—	—	SR	500166-22	2-3-10201X
7.460	1.886	—	—	CV	500166-22	2-3-12961X• <i>C.V. Yoke-Nickel Plated</i>
1.401-32 Based On 34 Spline						
8.465	1.770	—	—	SR	500166-20	5003207
1.406-32 Based On 34 Spline						
8.456	1.770	—	—	SR	500166-22	5004846
1350 SERIES		E-3.875	D-1.188	USE KIT 5-178X OR 5-799X		
1.176-26 Based On 27 Spline						
6.940	1.502	1.218	.410	SR	2-68-23	3-3-4281X
6.940	1.502	1.218	.410	SR	500166-20	3-3-3721X
1.326-29 Based On 30 Spline						
6.630	1.680	—	—	SR	500166-22	3-3-3931X
1.375-31 Based On 32 Spline						
6.938	1.886	—	—	SR	3-68-33	3-3-6481X• <i>1/8" hole in welch plug</i>
6.940	1.886	—	—	SR	500166-24	3-3-6361X▪
1.378-31 Based On 32 Spline						
5.500	1.885	—	—	SR	500166-24	3-3-2431X
6.938	1.886	—	—	SR	500166-24	3-3-5571X
6.938	1.886	—	—	SR	3-68-33	3-3-4261X
6.940	1.885	—	—	SR	3-68-23	3-3-6471X•
7.720	1.885	—	—	SR	500166-24	3-3-6871X• <i>Nickel Plated</i>
7.720	1.886	—	—	SR	500166-24	3-3-6441X
7.940	1.886	1.430	.220	SR	500166-24	3-3-5551X▪
1.390-30 Based On 31 Spline						
6.440	1.685	—	—	SR	500166-22	3-3-2491X
6.570	1.684	—	—	SR	500166-22	3-3-5961X
7.310	1.885	—	—	SR	500166-23	3-3-5431X
7.460	1.885	—	—	CV	500166-22	3-3-5861X <i>C.V. Yoke-Nickel Plated</i>
1.403-21 Involute Spline						
5.310	1.830	—	—	SR	500166-24	3-3-848X <i>Hub dia. not ground</i>

• Part is discontinued ■ Part is available until supply is exhausted ▲ Not sold separately



Important: See Safety Information in General Information Section (J300P-GI)

Slip Yoke Assemblies For Transmission Applications



SNAP RING (SR) STYLE

BEARING STRAP (BS) /
CONSTANT VELOCITY (CV) STYLE

J C/L to End End of Spline	R Ground Hub Diameter	Counterbore		Style	Slip Yoke Plug Part Number	Slip Yoke Assembly Part Number
		Diameter	Depth			
1410 SERIES		E-4.438 D-1.188		USE KIT 5-160X OR 5-801X		
1.284-29 Based On 30 Spline						
8.340	1.680	—	—	SR	500166-22	3-3-6121X• <i>Nickel Plated</i>
8.340	1.680	1.440	1.440	SR	500166-22	3-3-4851X <i>Nickel Plated</i>
8.340	1.680	1.440	1.440	SR	500166-22	3-3-4181X
8.340	2.161	1.440	1.440	SR	500166-22	5002035
8.344	1.688	—	—	SR	500166-22	3-3-6131X• <i>Nickel plated yoke w/vibration dampener</i>
1.326-29 Based On 30 Spline						
8.340	1.680	1.440	1.440	SR	500166-22	3-3-3271X <i>Nickel Plated</i>
8.340	1.680	1.440	1.440	SR	500166-22	3-3-3251X
1.378-30 Based On 32 Spline						
6.100	1.731	1.387	.394	SR	500166-22	5004624
1.378-31 Based On 32 Spline						
6.940	1.885	—	—	SR	500166-24	3-3-6811X•
6.940	1.885	—	—	SR	500166-24	3-3-6321X
7.750	1.885	—	—	SR	500166-22	3-3-3811X
7.750	1.885	—	—	SR	500166-22	3-3-3891X <i>Nickel Plated</i>
8.070	1.885	—	—	SR	500166-24	5001646 <i>Nickel Plated</i>
8.070	1.885	—	—	SR	500166-24	3-3-6421X
8.750	1.885	—	—	SR	500166-22	3-3-4401X
8.750	1.886	—	—	SR	500166-22	3-3-4211X <i>W/vibration dampener</i>
1.390-30 Based On 31 Spline						
8.110	1.885	—	—	SR	500166-22	3-3-6661X
1.500-16 Spline						
7.812	1.781	—	—	SR	3-68-63	3-3-838X
1.615-30 Based On 31 Spline						
7.750	2.200	—	—	SR	500166-28	3-3-5631X
8.340	2.000	1.655	.270	SR	500166-28	3-3-6541X <i>Counterbore at hub end</i>
8.340	2.200	—	—	SR	500166-28	3-3-4391X
8.344	2.201	—	—	SR	500166-28	3-3-3441X
8.344	2.201	—	—	SR	500166-28	3-3-6141X• <i>W/vibration dampener</i>
8.344	2.203	—	—	SR	500166-28	3-3-4131X <i>3-3-4391X with vibration dampener</i>

• Part is discontinued ■ Part is available until supply is exhausted ▲ Not sold separately



Slip Yoke Assemblies For Transmission Applications



J C/L to End End of Spline	R Ground Hub Diameter	Counterbore		Style	Slip Yoke Plug Part Number	Slip Yoke Assembly Part Number
		Diameter	Depth			
1410 SERIES (Continued)		E-4.438	D-1.188		USE KIT 5-160X OR 5-801X	
1.616-30 Based On 31 Spline						
7.750	2.200	—	—	SR	500166-28	3-3-5611X• <i>Nickel Plated</i>
8.340	2.200	1.655	.270	SR	500166-28	5001683 <i>Nickel Plated</i>
1.750-34 Involute Spline						
9.291	2.299	—	—	SR	500166-29	5006569 [▲]
1480 SERIES		E-4.438	D-1.375		USE KIT 5-188X, 5-803X OR 5-804X	
1.390-30 Based On 31 Spline						
6.870	1.885	—	—	SR	500166-23	3-3-6021X
1.654-20 Involute Spline						
4.560	2.380	—	—	SR	500166-26	3-3-3151X <i>Hub dia. not ground</i>
1550 SERIES		E-5.250	D-1.375		USE KIT 5-155X, 5-808X OR 5-809X	
1.875-14 Involute Spline						
4.203	3.000	—	—	SR	500166-31	4-3-1961X•
4.703	2.750	—	—	SR	500166-31	4-3-1951X
2.372-46 Involute Spline						
4.880	3.125	—	—	SR	500166-46	4-3-2441X <i>Includes flinger</i>

• Part is discontinued ■ Part is available until supply is exhausted ▲ Not sold separately



Important: See Safety Information in General Information Section (J300P-GI)

1-3-18KX..... 3	2-3-1331X..... 16	2-3-4951KX..... 4	3-3-1601KX..... 8
1-3-88KX..... 3	2-3-13461X..... 16	2-3-5221X..... 4	3-3-1621KX..... 8
2-3-9021..... 17	2-3-13551X..... 17	2-3-5281X..... 17	3-3-1641KX..... 8
2-3-10021X..... 4	2-3-13571X..... 5	2-3-5821X..... 4	3-3-1701KX..... 7
2-3-10071X..... 16	2-3-13671X..... 18	2-3-5981X..... 18	3-3-1831KX..... 7
2-3-10131X..... 17	2-3-13691X..... 18	2-3-6041X..... 19	3-3-2041KX..... 7
2-3-10201X..... 19	2-3-13721X..... 18	2-3-6061KX..... 5	3-3-2431X..... 19
2-3-10261KX..... 5	2-3-13811X..... 19	2-3-6081X..... 16	3-3-2471KX..... 6
2-3-10391X..... 17	2-3-13831X..... 5	2-3-7171KX..... 5	3-3-2491X..... 19
2-3-10411X..... 4	2-3-13891X..... 16	2-3-7461X..... 4	3-3-2591KX..... 6
2-3-10431X..... 17	2-3-14001X..... 17	2-3-7481X..... 5	3-3-2681KX..... 6
2-3-10501X..... 16	2-3-14031X..... 18	2-3-7501X..... 16	3-3-2701KX..... 6
2-3-10521X..... 4	2-3-14061X..... 18	2-3-7661KX..... 4	3-3-2801KX..... 6
2-3-10571KX..... 5	2-3-14171X..... 18	2-3-7681KX..... 5	3-3-2931KX..... 6
2-3-10621KX..... 10	2-3-14191X..... 18	2-3-7691KX..... 5	3-3-3001X..... 6
2-3-10641KX..... 5	2-3-14211X..... 18	2-3-7961KX..... 5	3-3-3121X..... 8
2-3-10661X..... 4	2-3-1421KX..... 4	2-3-7981KX..... 4	3-3-3151X..... 21
2-3-10761X..... 17	2-3-14221X..... 18	2-3-8001KX..... 4	3-3-3251X..... 20
2-3-10791X..... 19	2-3-14241X..... 19	2-3-8021KX..... 4	3-3-3271X..... 20
2-3-10801X..... 5	2-3-14261X..... 18	2-3-8041KX..... 5	3-3-3441X..... 20
2-3-10831X..... 19	2-3-14281X..... 19	2-3-8111KX..... 5	3-3-3461X..... 7
2-3-10871X..... 5	2-3-14311X..... 18	2-3-8251X..... 17	3-3-3601X..... 6
2-3-11071X..... 17	2-3-14331X..... 5	2-3-8311X..... 5	3-3-3721X..... 19
2-3-11351X..... 4	2-3-1461KX..... 4	2-3-8431X..... 16	3-3-3791X..... 7
2-3-11491KX..... 5	2-3-14771X..... 16	2-3-8481X..... 5	3-3-3811X..... 20
2-3-11551X..... 16	2-3-14791X..... 17	2-3-8731X..... 16	3-3-3871KX..... 7
2-3-11721KX..... 17	2-3-14831X..... 19	2-3-8741X..... 5	3-3-388KX..... 6
2-3-11731X..... 16	2-3-14861X..... 17	2-3-8811X..... 3	3-3-3891X..... 20
2-3-11781X..... 18	2-3-14871X..... 17	2-3-8841KX..... 4	3-3-3931X..... 19
2-3-11991X..... 5	2-3-14981X..... 17	2-3-8861X..... 4	3-3-398KX..... 6
2-3-12031KX..... 5	2-3-15051X..... 18	2-3-8891X..... 16	3-3-4131X..... 20
2-3-12051X..... 18	2-3-15321X..... 17	2-3-8921X..... 5	3-3-4181X..... 20
2-3-12081X..... 18	2-3-15341X..... 17	2-3-8941KX..... 5	3-3-4211X..... 20
2-3-12191X..... 19	2-3-15461X..... 18	2-3-9191X..... 16	3-3-4261X..... 19
2-3-12301KX..... 4	2-3-15631X..... 17	2-3-9211X..... 16	3-3-4281X..... 19
2-3-12361X..... 18	2-3-15651X..... 5	2-3-9371X..... 5	3-3-4391X..... 20
2-3-12371X..... 18	2-3-15751X..... 18	2-3-9701X..... 16	3-3-4401X..... 20
2-3-12411X..... 16	2-3-16011X..... 19	2-3-9761X..... 17	3-3-4421X..... 7
2-3-12421X..... 4	2-3-178KX..... 4	2-3-9781X..... 16	3-3-4551X..... 7
2-3-12461X..... 17	2-3-1931KX..... 4	2-3-9811X..... 17	3-3-4651X..... 6
2-3-12621X..... 18	2-3-198KX..... 4	2-3-9991X..... 3	3-3-468KX..... 7
2-3-12671X..... 17	2-3-258KX..... 4	2-55-51..... 13	3-3-4781X..... 6
2-3-12881X..... 4	2-3-348KX..... 4	2-55-258X..... 13	3-3-4851X..... 20
2-3-128KX..... 4	2-3-388X..... 17	2-55-268X..... 13	3-3-4871X..... 7
2-3-12961X..... 19	2-3-3951KX..... 4	3-3-118KX..... 7	3-3-488KX..... 6
2-3-12981X..... 17	2-3-4071KX..... 4	3-3-1421KX..... 6	3-3-508KX..... 7
2-3-13051X..... 16	2-3-4441KX..... 4	3-3-1481KX..... 7	3-3-5141X..... 8
2-3-13131X..... 17	2-3-4681KX..... 5	3-3-1501KX..... 6	3-3-5181KX..... 6
2-3-13221X..... 5	2-3-4871X..... 17	3-3-1511KX..... 7	3-3-5411KX..... 7
2-3-13311X..... 17	2-3-4911X..... 16	3-3-1561KX..... 6	3-3-5431X..... 19



3-3-5461X..... 6	4-3-1951X..... 21	6.5-3-1571KX 10	5004624..... 20
3-3-5481KX..... 7	4-3-1961X..... 21	8-3-391KX 10	5004846 19
3-3-5491X..... 7	4-3-2041KX..... 8	8-3-411KX 10	5006028..... 5
3-3-5551X 19	4-3-2121KX..... 8	8-3-431KX..... 10	5006569..... 21
3-3-5571X..... 19	4-3-2141KX..... 8	8-55-113X 14	211391X..... 6
3-3-5611X 21	4-3-2441X..... 21	8-55-43X 14	5C-3-21X 11
3-3-5631X..... 20	4-55-48X 13	10-3-121KX..... 3	6C-3-21X 11
3-3-5861X..... 19	5-3-108KX 9	10-3-122X 15	
3-3-5921KX..... 6	5-3-128KX 9	10-3-131X..... 3	
3-3-5961X..... 19	5-3-1411KX 9	10-3-13X 15	
3-3-598KX..... 6	5-3-168KX..... 9	10-3-162X..... 15	
3-3-6021X..... 21	5-3-1711KX 9	10-3-163X..... 15	
3-3-6061X..... 8	5-3-198KX..... 9	10-3-183X..... 15	
3-3-6121X..... 20	5-3-2261KX 9	10-3-18KX..... 3	
3-3-6131X..... 20	5-3-288KX 9	10-3-22X 15	
3-3-6141X..... 20	5-3-2911X 9	10-3-23X 15	
3-3-6201X..... 6	5-3-3101KXM..... 9	10-3-291KX..... 3	
3-3-6321X..... 20	5-3-3121KX 9	10-3-32X 15	
3-3-6341X..... 7	5-3-3211KX..... 12	10-3-33X 15	
3-3-6361X..... 19	5-3-3231X 9	10-3-51X..... 3	
3-3-6381X..... 6	5-3-368KX 9	10-3-81X..... 3	
3-3-6421X..... 20	5-3-398KX 9	10-3-83X..... 15	
3-3-6441X..... 19	6-3-1481KX 10	55-3-21X..... 16	
3-3-6471X..... 19	6-3-1601KX..... 10	55-3-61X..... 3	
3-3-6481X..... 19	6-3-1661KX 10	55-3-81X..... 3	
3-3-6541X..... 20	6-3-2591KX..... 10	70-3-21X..... 3	
3-3-6611X..... 7	6-3-2631KX 9	70-3-41X..... 3	
3-3-6641X..... 7	6-3-2651KX..... 10	90-3-21X..... 3	
3-3-6661X..... 20	6-3-2671KX 9	90-3-41X..... 3	
3-3-6701X..... 7	6-3-2721X 9	100-3-41X..... 3	
3-3-6791X..... 7	6-3-2741KX 9	140-55-21X..... 13	
3-3-6811X 20	6-3-2761KX 9	170-55-21-1X 13	
3-3-6871X..... 19	6-3-2801KX 9	170-55-21-2X 13	
3-3-6981X..... 6	6-3-3151KX 9	170-55-51-1 13	
3-3-7001X..... 7	6-3-3171KX 9	170-55-51-2 13	
3-3-7021X..... 8	6-3-3211X 9	170-55-51-3 13	
3-3-748KX..... 7	6-3-3441KX 10	170-55-51-4 13	
3-3-758KX..... 6	6-3-3461KX..... 10	170-55-81 13	
3-3-768KX..... 7	6-3-3481KX..... 10	170-55-151 13	
3-3-788KX..... 7	6-3-3501KX..... 10	250-55-31X..... 13	
3-3-798KX..... 7	6-3-3521KX 9	5001240..... 18	
3-3-838X 20	6-3-3541KX 9	5001646 20	
3-3-848X..... 19	6-3-3611KXM 9	5001672 16	
3-55-38X..... 13	6-55-38X..... 14	5001683..... 21	
4-3-1241KX..... 8	6.3-3-21KX..... 10	5002035..... 20	
4-3-1261KX..... 8	6.3-3-41KX 10	5002231 18	
4-3-1411KX..... 8	6.5-3-1351KX..... 10	5002274..... 18	
4-3-1431KX..... 8	6.5-3-1371KX..... 10	5002278..... 18	
4-3-1751KX..... 8	6.5-3-1431KX 10	5002372 13	
4-3-1921KX..... 8	6.5-3-1451KX 10	5003207 19	





SPICER[®]

Drivetrain Products

Dana Holding Corporation
Spicer Service Parts
PO Box 321
Toledo, Ohio 43697-0321
1-800-SAY-DANA (729-3262)

www.spicerparts.com

Dana Holding Corporation
Spicer Service Parts - Canada
5095 South Service Road
Beamsville, Ontario LOR 1B0

Dana Holding Corporation
Spicer Service Parts - International
(419) 861-6325

J300P-3
8/08
Printed in U.S.A

© Dana Limited 2008.
All rights reserved.